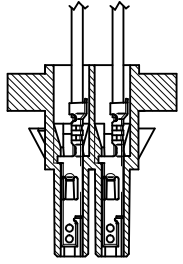




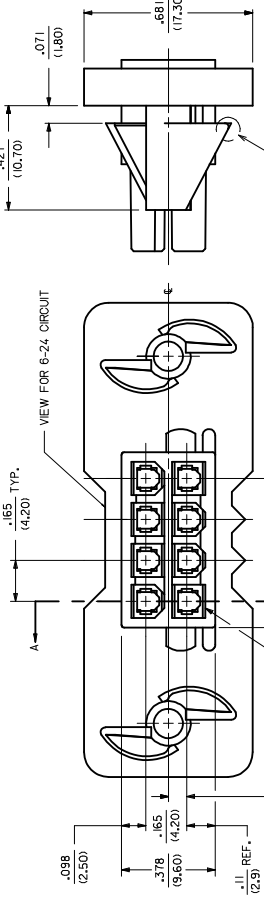
THE DATASHEET OF
15-06-0241



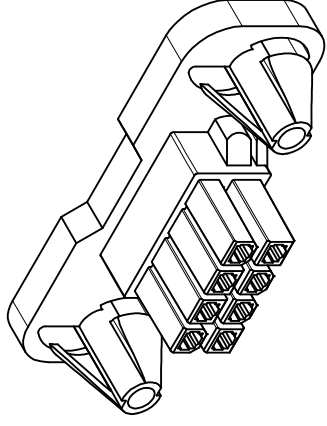
20	19	18	17	16	15	14	13	12	11	10	9	8	7	6	5	
M	L	K	J	I	H	G	F	E	D	C	B	A	QUALITY SYMBOLS	DIM. "A"	DIM. "B"	DIM. "C"
			CT1 SIZE													
			2													
			4													
			6													
			8													
			10													
			12													
			14													
			16													
			18													
			20													
			22													
			24													



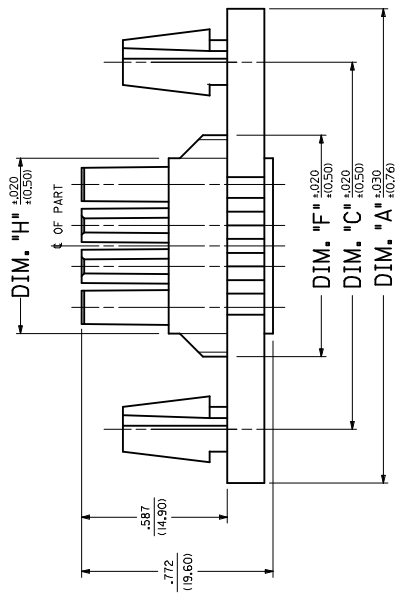
SECTION "A-A"
TERMINAL ORIENTATION



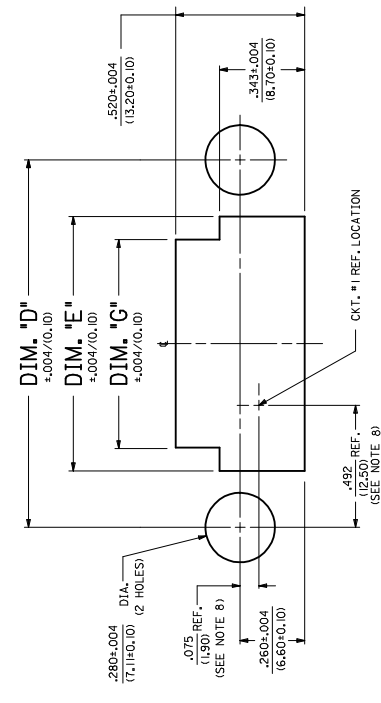
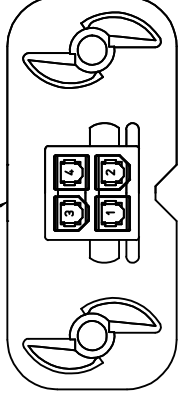
THIS AREA CAN BE SHARP OR RADIUS



VIEW FOR 2 AND 4 CIRCUIT NOTCH REMOVED



2-8 & 12-24 CIRCUIT HEADER (SEE SHEET 2 FOR 10 CIRCUIT HEADER DESIGN)

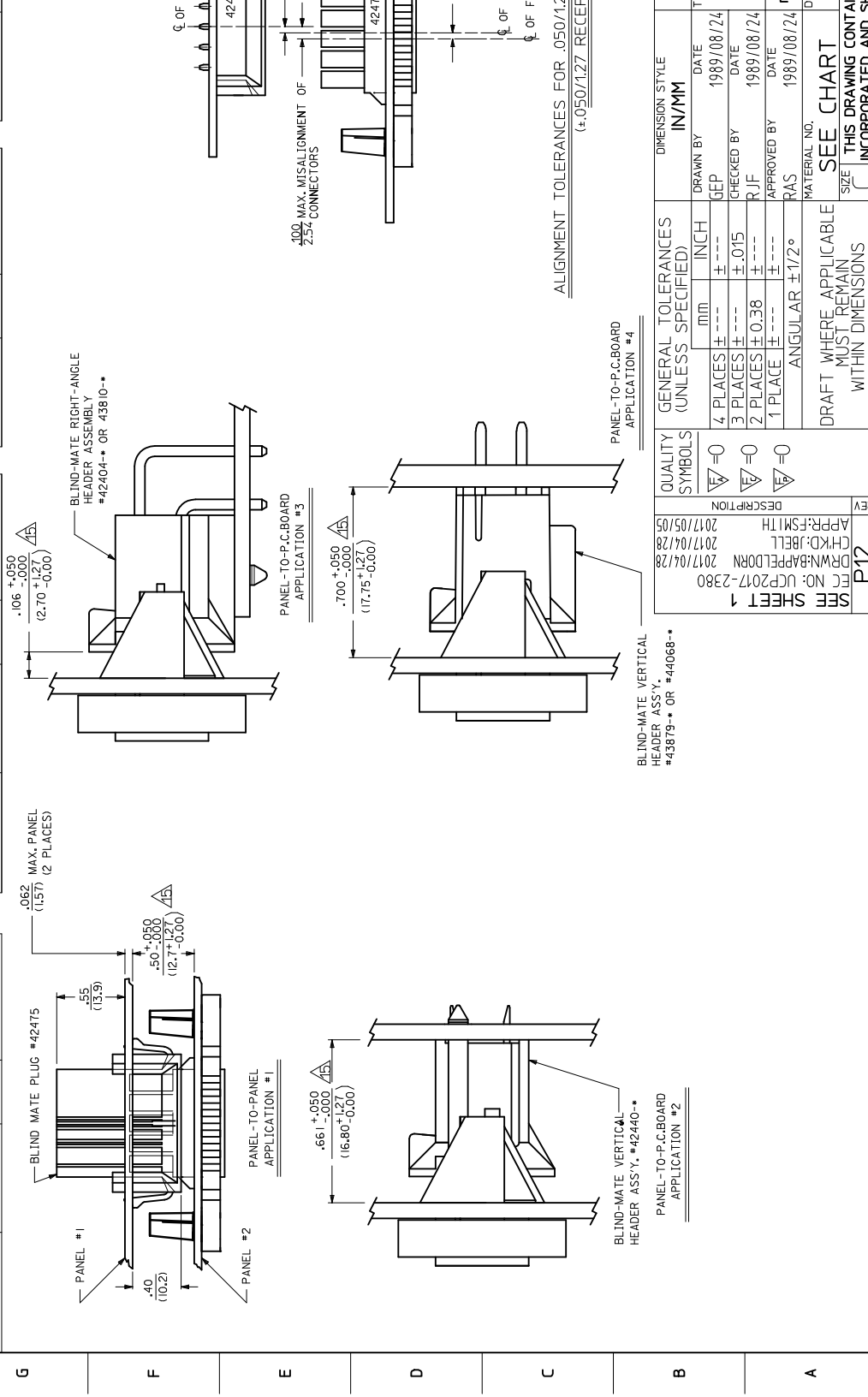


RECOMMENDED PANEL CUT-OUT FOR .050±0.02/(12.7±0.50) THICK PANEL (SEE NOTE 11)

LEGEND:
42474 - ** * 1
BASE NUMBER
CIRCUIT SIZE (02-24)
MATERIAL (SEE NOTE 1)

QUALITY SYMBOLS	GENERAL TOLERANCES (UNLESS SPECIFIED)	DRAWN BY
△	1 PLACES ± .015	GEP
△	2 PLACES ± .038	APPROVED
△	3 PLACES ± .015	APPROVED
△	4 PLACES ± .015	APPROVED
△	5 PLACES ± .015	APPROVED
△	6 PLACES ± .015	APPROVED
△	7 PLACES ± .015	APPROVED
△	8 PLACES ± .015	APPROVED
△	9 PLACES ± .015	APPROVED
△	10 PLACES ± .015	APPROVED
△	11 PLACES ± .015	APPROVED
△	12 PLACES ± .015	APPROVED
△	13 PLACES ± .015	APPROVED
△	14 PLACES ± .015	APPROVED
△	15 PLACES ± .015	APPROVED
△	16 PLACES ± .015	APPROVED
△	17 PLACES ± .015	APPROVED
△	18 PLACES ± .015	APPROVED
△	19 PLACES ± .015	APPROVED
△	20 PLACES ± .015	APPROVED
△	21 PLACES ± .015	APPROVED
△	22 PLACES ± .015	APPROVED
△	23 PLACES ± .015	APPROVED
△	24 PLACES ± .015	APPROVED

13	12	11	10	9	8	7	6	5	4		
PART NUMBER	ENG. NUMBER	CKT. SIZE	MATERIAL (SEE NOTE 1.)	PART NUMBER	ENG. NUMBER	CKT. SIZE	MATERIAL (SEE NOTE 1.)	ITEM NUMBER	CKT. SIZE	MATERIAL (SEE NOTE 1.)	ITEM NUMBER
NOT TOOLED	42474-0211	2	94V-2	NOT TOOLED	42474-0221	2	94V-0	NOT TOOLED	2	94V-2	NOT TOOLED
15-06-0040	42474-0411	4	94V-2	15-06-0041	42474-0421	4	94V-0	42474-0431	4	94V-2	42474-0441
15-06-0060	42474-0611	6	94V-2	15-06-0061	42474-0621	6	94V-0	42474-0631	6	94V-2	42474-0641
15-06-0080	42474-0811	8	94V-2	15-06-0081	42474-0821	8	94V-0	42474-0831	8	94V-2	42474-0841
15-06-0100	42474-1011	10	94V-2	15-06-0101	42474-1021	10	94V-0	42474-1031	10	94V-2	42474-1041
NOT TOOLED	42474-1211	12	94V-2	NOT TOOLED	42474-1221	12	94V-0	NOT TOOLED	12	94V-2	NOT TOOLED
15-06-0140	42474-1411	14	94V-2	15-06-0141	42474-1421	14	94V-0	42474-1431	14	94V-2	42474-1441
NOT TOOLED	42474-1611	16	94V-2	NOT TOOLED	42474-1621	16	94V-0	NOT TOOLED	16	94V-2	NOT TOOLED
15-06-0180	42474-1811	18	94V-2	15-06-0181	42474-1821	18	94V-0	42474-1831	18	94V-2	42474-1841
NOT TOOLED	42474-2011	20	94V-2	NOT TOOLED	42474-2021	20	94V-0	NOT TOOLED	20	94V-2	NOT TOOLED
NOT TOOLED	42474-2211	22	94V-2	NOT TOOLED	42474-2221	22	94V-0	NOT TOOLED	22	94V-2	NOT TOOLED
15-06-0240	42474-2411	24	94V-2	15-06-0241	42474-2421	24	94V-0	42474-2431	24	94V-2	42474-2441



13	12	11	10	9	8	7	6	5	4		
PART NUMBER	ENG. NUMBER	CKT. SIZE	MATERIAL (SEE NOTE 1.)	PART NUMBER	ENG. NUMBER	CKT. SIZE	MATERIAL (SEE NOTE 1.)	ITEM NUMBER	CKT. SIZE	MATERIAL (SEE NOTE 1.)	ITEM NUMBER
NOT TOOLED	42474-0211	2	94V-2	NOT TOOLED	42474-0221	2	94V-0	NOT TOOLED	2	94V-2	NOT TOOLED
15-06-0040	42474-0411	4	94V-2	15-06-0041	42474-0421	4	94V-0	42474-0431	4	94V-2	42474-0441
15-06-0060	42474-0611	6	94V-2	15-06-0061	42474-0621	6	94V-0	42474-0631	6	94V-2	42474-0641
15-06-0080	42474-0811	8	94V-2	15-06-0081	42474-0821	8	94V-0	42474-0831	8	94V-2	42474-0841
15-06-0100	42474-1011	10	94V-2	15-06-0101	42474-1021	10	94V-0	42474-1031	10	94V-2	42474-1041
NOT TOOLED	42474-1211	12	94V-2	NOT TOOLED	42474-1221	12	94V-0	NOT TOOLED	12	94V-2	NOT TOOLED
15-06-0140	42474-1411	14	94V-2	15-06-0141	42474-1421	14	94V-0	42474-1431	14	94V-2	42474-1441
NOT TOOLED	42474-1611	16	94V-2	NOT TOOLED	42474-1621	16	94V-0	NOT TOOLED	16	94V-2	NOT TOOLED
15-06-0180	42474-1811	18	94V-2	15-06-0181	42474-1821	18	94V-0	42474-1831	18	94V-2	42474-1841
NOT TOOLED	42474-2011	20	94V-2	NOT TOOLED	42474-2021	20	94V-0	NOT TOOLED	20	94V-2	NOT TOOLED
NOT TOOLED	42474-2211	22	94V-2	NOT TOOLED	42474-2221	22	94V-0	NOT TOOLED	22	94V-2	NOT TOOLED
15-06-0240	42474-2411	24	94V-2	15-06-0241	42474-2421	24	94V-0	42474-2431	24	94V-2	42474-2441

tb_frames_C.P.A.M.T
Rev. F 2009/06/16

QUALITY SYMBOLS	GENERAL TOLERANCES (UNLESS SPECIFIED)	INCH	M/M	DRAWN BY	DATE
$\nabla = 0$	4 PLACES \pm ---	\pm ---	\pm ---	GEP	1989/08/24
$\nabla = 0$	3 PLACES \pm ---	\pm .015	\pm .015	RJF	1989/08/24
$\nabla = 0$	2 PLACES \pm 0.38	\pm ---	\pm ---	RAS	1989/08/24
$\nabla = 0$	1 PLACE \pm ---	\pm ---	\pm ---		
	ANGULAR \pm 1/2°				

REV	DESCRIPTION	DATE	BY
P12	EC NO: UCP2017-2380	2017/04/28	DRM&B&PEL&DRN
	CHKD:JBELL	2017/04/28	
	APP:FSMITH	2017/05/05	

SEE SHEET 1

DRAFT WHERE APPLICABLE MUST REMAIN WITHIN DIMENSIONS

SIZE THIS DRAWING CONTAINS INCORPORATED AND S

SEE CHART

MATERIAL NO. 1989/08/24

Looking for pricing, stock, or lifecycle information?

Click below to explore more details on WIN SOURCE:

 [View 15-06-0241 on WIN SOURCE](#)

 [Molex, LLC Information](#)

Optimize Your Supply Chain with WIN SOURCE Solutions

-  Global Sourcing Solution
-  Obsolete Management
-  Cost Control Management
-  Shortage Management
-  Alternative Solution
-  Excess Inventory Management