



**THE DATASHEET OF  
TPS61161DRVR**



# TPS6116x White LED Drivers With Digital and PWM Brightness Control in 2-mm x 2-mm WSON Package

## 1 Features

- 2.7-V to 18-V Input Voltage Range
- 26-V Open LED Protection (TPS61160)
- 38-V Open LED Protection (TPS61161)
- 200-mV Reference Voltage With  $\pm 2\%$  Accuracy
- Flexible Digital and PWM Brightness Control
- Built-in Soft Start
- Up to 90% Efficiency

## 2 Applications

- Cellular Phones
- Portable Media Players
- Ultra Mobile Devices
- GPS Receivers
- White LED Backlighting for Media Form Factor Display

## 3 Description

With a 40-V rated integrated switch FET, the TPS61160 and TPS61161 are boost converters that drive LEDs in series. The boost converters run at 600-kHz fixed switching frequency to reduce output ripple, improve conversion efficiency, and allow for the use of small external components.

The default white LED current is set with the external sensor resistor  $R_{SET}$ , and the feedback voltage is regulated to 200 mV, as shown in the [Typical Application](#). During the operation, the LED current can be controlled using the one-wire digital interface (EasyScale™ protocol) through the CTRL pin. Alternatively, a pulse width modulation (PWM) signal can be applied to the CTRL pin through which the duty cycle determines the feedback reference voltage. In either digital or PWM mode, the TPS61160 and TPS61161 do not burst the LED current; therefore, they do not generate audible noises on the output capacitor. For maximum protection, the device features integrated open LED protection that disable the TPS61160 and/or TPS61161 to prevent the output voltage from exceeding the device's absolute maximum voltage ratings during open LED conditions.

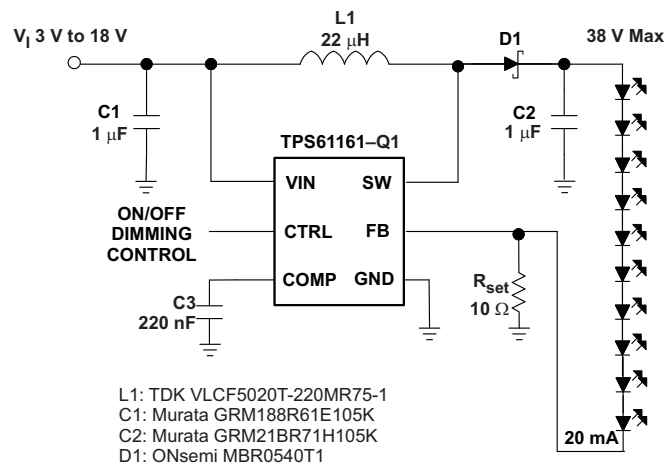
The TPS61160 and TPS61161 are available in a space-saving, 2-mm x 2-mm WSON package with thermal pad.

### Device Information<sup>(1)</sup>

PART NUMBER	PACKAGE	OPEN LED PROTECTION
TPS61160	WSON (6)	TPS61160 use 26 V (typical)
TPS61161		TPS61161 use 38 V (typical)

(1) For all available packages, see the orderable addendum at the end of the data sheet.

### Typical Application



## Table of Contents

<b>1</b>	<b>Features</b> .....	<b>1</b>	<b>8</b>	<b>Application and Implementation Information</b> ...	<b>19</b>
<b>2</b>	<b>Applications</b> .....	<b>1</b>	8.1	Application Information.....	19
<b>3</b>	<b>Description</b> .....	<b>1</b>	8.2	Typical Applications .....	19
<b>4</b>	<b>Revision History</b> .....	<b>2</b>	<b>9</b>	<b>Power Supply Recommendations</b> .....	<b>28</b>
<b>5</b>	<b>Pin Configuration and Functions</b> .....	<b>4</b>	<b>10</b>	<b>Layout</b> .....	<b>29</b>
<b>6</b>	<b>Specifications</b> .....	<b>5</b>	10.1	Layout Guidelines .....	29
6.1	Absolute Maximum Ratings .....	5	10.2	Layout Example .....	29
6.2	ESD Ratings.....	5	10.3	Thermal Considerations .....	29
6.3	Recommended Operating Conditions.....	5	<b>11</b>	<b>Device and Documentation Support</b> .....	<b>30</b>
6.4	Thermal Information .....	5	11.1	Device Support.....	30
6.5	Electrical Characteristics.....	6	11.2	Documentation Support .....	30
6.6	Timing Requirements .....	7	11.3	Related Links .....	30
6.7	Typical Characteristics .....	8	11.4	Receiving Notification of Documentation Updates	30
<b>7</b>	<b>Detailed Description</b> .....	<b>11</b>	11.5	Community Resources.....	30
7.1	Overview .....	11	11.6	Trademarks .....	30
7.2	Functional Block Diagram .....	11	11.7	Electrostatic Discharge Caution.....	30
7.3	Feature Description.....	11	11.8	Glossary .....	31
7.4	Device Functional Modes.....	13	<b>12</b>	<b>Mechanical, Packaging, and Orderable Information</b> .....	<b>31</b>
7.5	Programming.....	15			

## 4 Revision History

NOTE: Page numbers for previous revisions may differ from page numbers in the current version.

<b>Changes from Revision D (June 2015) to Revision E</b>	<b>Page</b>
• Changed package name from "SON" to "WSON" throughout document .....	1
• Deleted the "Duty" rows the <i>Recommended Operating Conditions</i> ; added "t <sub>PWM_MIN</sub> " row .....	5

<b>Changes from Revision C (April 2012) to Revision D</b>	<b>Page</b>
• Added <i>Pin Configuration and Functions</i> section, <i>ESD Rating</i> table, <i>Feature Description</i> , <i>Device Functional Modes</i> , <i>Application and Implementation</i> , <i>Power Supply Recommendations</i> , <i>Dos and Don'ts</i> , <i>Layout</i> , <i>Device and Documentation Support</i> , and <i>Mechanical, Packaging, and Orderable Information</i> sections; change package name from QFN to SON; remove Ordering Information table - info duplicated in POA.....	1
• Deleted Dissipation Ratings table - replaced by updated <i>Thermal Information</i> . .....	5
• Added paragraph re: not using EasyScale to change feedback voltage from 0 mV.....	14

<b>Changes from Revision B (July 2011) to Revision C</b>	<b>Page</b>
• Changed the Maximum duty cycle MIN value From: 90% To: 93% and the TYP value From: 93% To: 95% .....	6
• Changed position of V <sub>I</sub> = 5 V and V <sub>I</sub> = 3.6 V in <a href="#">Figure 3</a> .....	8

<b>Changes from Revision A (September 2008) to Revision B</b>	<b>Page</b>
• Changed Features item From: 26V Open LED Protection for 6 LEDs (TPS61160) To: 26-V Open LED Protection (TPS61160) .....	1
• Changed Features item From: 38V Open LED Protection for 10 LEDs (TPS61161) To: 38-V Open LED Protection (TPS61161) .....	1
• ; added 38V max to Typical Application diagram; . .....	1
• Changed the COMP and CTRL Description in the <i>Terminal Function Table</i> .....	4
• Changed text to clarify the "Open LED Protection" description. ....	12

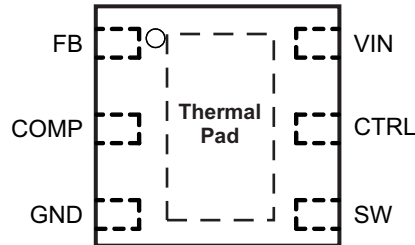
---

- Changed [Figure 13](#)..... 14
- Changed the COMPENSATION CAPACITOR SELECTION section..... 21

---

## 5 Pin Configuration and Functions

**DRV Package**  
**6-Pin WSON with Exposed Thermal Pad**  
**Top View**



**Pin Functions**

PIN		I/O	DESCRIPTION
NAME	NO.		
COMP	2	O	Output of the transconductance error amplifier. Connect an external capacitor to this pin to compensate the converter.
CTRL	5	I	Control pin of the boost converter. It is a multi-functional pin which can be used for enable control, PWM and digital dimming.
FB	1	I	Feedback pin for current. Connect the sense resistor from FB to GND.
GND	3	O	Ground
SW	4	I	This is the switching node of the device. Connect the inductor between the VIN and SW pin. This pin is also used to sense the output voltage for open LED protection
VIN	6	I	The input supply pin for the device. Connect VIN to a supply voltage between 2.7 V and 18 V.
Thermal Pad	—	—	Solder the thermal pad to the analog ground plane. If possible, use thermal via to connect to ground plane for ideal power dissipation.

## 6 Specifications

### 6.1 Absolute Maximum Ratings

over operating free-air temperature range (unless otherwise noted) <sup>(1)</sup>

		MIN	MAX	UNIT
V <sub>I</sub>	Supply voltages on VIN <sup>(2)</sup>	-0.3	20	V
	Voltages on CTRL <sup>(2)</sup>	-0.3	20	V
	Voltage on FB and COMP <sup>(2)</sup>	-0.3	3	V
	Voltage on SW <sup>(2)</sup>	-0.3	40	V
T <sub>J</sub>	Operating junction temperature	40	150	°C
T <sub>stg</sub>	Storage temperature	-65	150	°C

- (1) Stresses beyond those listed under *Absolute Maximum Ratings* may cause permanent damage to the device. These are stress ratings only, which do not imply functional operation of the device at these or any other conditions beyond those indicated under *Recommended Operating Conditions*. Exposure to absolute-maximum-rated conditions for extended periods may affect device reliability.
- (2) All voltage values are with respect to network ground pin.

### 6.2 ESD Ratings

		VALUE	UNIT
V <sub>(ESD)</sub>	Electrostatic discharge	Human-body model (HBM), per ANSI/ESDA/JEDEC JS-001 <sup>(1)</sup>	±4000
		Charged-device model (CDM), per JEDEC specification JESD22-C101 <sup>(2)</sup>	±1000

- (1) JEDEC document JEP155 states that 500-V HBM allows safe manufacturing with a standard ESD control process.
- (2) JEDEC document JEP157 states that 250-V CDM allows safe manufacturing with a standard ESD control process.

### 6.3 Recommended Operating Conditions

		MIN	NOM	MAX	UNIT
V <sub>I</sub>	Input voltage	2.7		18	V
V <sub>O</sub>	Output voltage	V <sub>IN</sub>		38	V
L	Inductor <sup>(1)</sup>	10		22	μH
f <sub>dim</sub>	PWM dimming frequency	5		100	kHz
t <sub>PWM_MIN</sub>	Minimum pulse width at PWM input		50		ns
C <sub>IN</sub>	Input capacitor	1			μF
C <sub>O</sub>	Output capacitor <sup>(1)</sup>	0.47		10	μF
T <sub>A</sub>	Operating ambient temperature	-40		85	°C
T <sub>J</sub>	Operating junction temperature	-40		125	°C

- (1) These values are recommended values that have been successfully tested in several applications. Other values may be acceptable in other applications but should be fully tested by the user.

### 6.4 Thermal Information

THERMAL METRIC <sup>(1)</sup>		TPS61160, TPS61161	UNIT
		DRV (WSON)	
		6 PINS	
R <sub>θJA</sub>	Junction-to-ambient thermal resistance	96.1	°C/W
R <sub>θJC(top)</sub>	Junction-to-case (top) thermal resistance	89	°C/W
R <sub>θJB</sub>	Junction-to-board thermal resistance	65.9	°C/W
ψ <sub>JT</sub>	Junction-to-top characterization parameter	3.2	°C/W
ψ <sub>JB</sub>	Junction-to-board characterization parameter	66.3	°C/W
R <sub>θJC(bot)</sub>	Junction-to-case (bottom) thermal resistance	40.8	°C/W

- (1) For more information about traditional and new thermal metrics, see [Semiconductor and IC Package Thermal Metrics](#).

## 6.5 Electrical Characteristics

 $V_{IN} = 3.6\text{ V}$ ,  $CTRL = V_{IN}$ ,  $T_A = -40^\circ\text{C}$  to  $+85^\circ\text{C}$ , typical values are at  $T_A = 25^\circ\text{C}$  (unless otherwise noted).

PARAMETER		TEST CONDITIONS	MIN	TYP	MAX	UNIT
<b>SUPPLY CURRENT</b>						
$V_I$	Input voltage		2.7		18	V
$I_Q$	Operating quiescent current into VIN	Device PWM switching no load			1.8	mA
$I_{SD}$	Shutdown current	$CTRL = GND$ , $V_{IN} = 4.2\text{ V}$			1	$\mu\text{A}$
UVLO	Undervoltage lockout threshold	$V_{IN}$ falling		2.2	2.5	V
$V_{hys}$	Undervoltage lockout hysteresis			70		mV
<b>ENABLE AND REFERENCE CONTROL</b>						
$V_{(CTRLh)}$	CTRL logic high voltage	$V_{IN} = 2.7\text{ V}$ to $18\text{ V}$	1.2			V
$V_{(CTRLl)}$	CTRL logic low voltage	$V_{IN} = 2.7\text{ V}$ to $18\text{ V}$			0.4	V
$R_{(CTRL)}$	CTRL pull down resistor		400	800	1600	$\text{k}\Omega$
<b>VOLTAGE AND CURRENT CONTROL</b>						
$V_{REF}$	Voltage feedback regulation voltage		196	200	204	mV
$V_{(REF\_PWM)}$	Voltage feedback regulation voltage under brightness control	$V_{FB} = 50\text{ mV}$	47	50	53	mV
		$V_{FB} = 20\text{ mV}$	17	20	23	
$I_{FB}$	Voltage feedback input bias current	$V_{FB} = 200\text{ mV}$			2	$\mu\text{A}$
$f_s$	Oscillator frequency		500	600	700	kHz
$D_{max}$	Maximum duty cycle	$V_{FB} = 100\text{ mV}$ , measured on the drive signal of the switching FET	93%	95%		
$t_{min\_on}$	Minimum on pulse width			40		ns
$I_{sink}$	Comp pin sink current			100		$\mu\text{A}$
$I_{source}$	Comp pin source current			100		$\mu\text{A}$
$G_{ea}$	Error amplifier transconductance		240	320	400	$\mu\text{mho}$
$R_{ea}$	Error amplifier output resistance			6		$\text{M}\Omega$
$f_{ea}$	Error amplifier crossover frequency	5 pF connected to COMP		500		kHz
<b>POWER SWITCH</b>						
$R_{DS(on)}$	N-channel MOSFET on-resistance	$V_{IN} = 3.6\text{ V}$		0.3	0.6	$\Omega$
		$V_{IN} = 3\text{ V}$			0.7	
$I_{LN\_NFET}$	N-channel leakage current	$V_{SW} = 35\text{ V}$ , $T_A = 25^\circ\text{C}$			1	$\mu\text{A}$

## Electrical Characteristics (continued)

$V_{IN} = 3.6\text{ V}$ ,  $CTRL = V_{IN}$ ,  $T_A = -40^\circ\text{C}$  to  $+85^\circ\text{C}$ , typical values are at  $T_A = 25^\circ\text{C}$  (unless otherwise noted).

PARAMETER		TEST CONDITIONS	MIN	TYP	MAX	UNIT
<b>OC and OLP</b>						
$I_{LIM}$	N-Channel MOSFET current limit	$D = D_{max}$	0.56	0.7	0.84	A
$I_{LIM\_Start}$	Start up current limit	$D = D_{max}$		0.4		A
$t_{Half\_LIM}$	Time step for half current limit			5		ms
$V_{ovp}$	Open LED protection threshold	Measured on the SW pin, TPS61160 TPS61161	25 37	26 38	27 39	V
$V_{(FB\_OVP)}$	Open LED protection threshold on FB	Measured on the FB pin, percentage of $V_{REF}$ $V_{REF} = 200\text{ mV}$ and $20\text{ mV}$		50%		
$V_{ACKNL}$	Acknowledge output voltage low	Open drain, $R_{pullup} = 15\text{ k}\Omega$ to $V_{IN}$			0.4	V
<b>THERMAL SHUTDOWN</b>						
$T_{shutdown}$	Thermal shutdown threshold			160		$^\circ\text{C}$
$T_{hysteresis}$	Thermal shutdown threshold hysteresis			15		$^\circ\text{C}$

## 6.6 Timing Requirements

		MIN	NOM	MAX	UNIT
<b>OC and OLP</b>					
$t_{REF}$	$V_{REF}$ filter time constant		180		$\mu\text{s}$
$t_{step}$	$V_{REF}$ ramp up time		213		$\mu\text{s}$
<b>EasyScale</b>					
$t_{valACKN}$	Acknowledge valid time <sup>(1)</sup>			2	$\mu\text{s}$
$t_{ACKN}$	Duration of acknowledge condition <sup>(1)</sup>			512	$\mu\text{s}$
$t_{off}$	CTRL pulse width to shutdown, CTRL high to low	2.5			ms
$t_{es\_det}$	Easy Scale detection time <sup>(2)</sup>	260			$\mu\text{s}$
$t_{es\_delay}$	EasyScale detection delay, Measured from CTRL high	100			$\mu\text{s}$
$t_{es\_win}$	EasyScale detection window time	1			ms
$t_{START}$	Start time of program stream	2			$\mu\text{s}$
$t_{EOS}$	End time of program stream	2		360	$\mu\text{s}$
$t_{H\_LB}$	High time low bit, logic 0			180	$\mu\text{s}$
$t_{L\_LB}$	Low time low bit, logic 0	$2 \times t_{H\_LB}$		360	$\mu\text{s}$
$t_{H\_HB}$	High time high bit, logic 1	$2 \times t_{L\_HB}$		360	$\mu\text{s}$
$t_{L\_HB}$	Low time high bit, logic 1	2		180	$\mu\text{s}$

- (1) Acknowledge condition active 0, this condition will only be applied in case the RFA bit is set. Open drain output, line needs to be pulled high by the host with resistor load.
- (2) To select EasyScale mode, the CTRL pin has to be low for more than  $t_{es\_det}$  during  $t_{es\_win}$ .

## 6.7 Typical Characteristics

### 6.7.1 Table Of Graphs

		FIGURE
Efficiency TPS61160/1	$V_{IN} = 3.6\text{ V}$ ; 4, 6, 8, 10 LEDs; $L = 22\ \mu\text{H}$	<a href="#">Figure 1</a>
Efficiency TPS61160		<a href="#">Figure 2</a>
Efficiency TPS61161		<a href="#">Figure 3</a>
Current limit	$T_A = 25^\circ\text{C}$	<a href="#">Figure 4</a>
Current limit		<a href="#">Figure 5</a>
EasyScale step		<a href="#">Figure 6</a>
PWM dimming linearity	$V_{IN} = 3.6\text{ V}$ ; PWM Freq = 10 kHz and 40 kHz	<a href="#">Figure 6</a>
Output ripple at PWM dimming	8 LEDs; $V_{IN} = 3.6\text{ V}$ ; $I_{LOAD} = 20\text{ mA}$ ; PWM Freq = 10 kHz	<a href="#">Figure 8</a>
Switching waveform	8 LEDs; $V_{IN} = 3.6\text{ V}$ ; $I_{LOAD} = 20\text{ mA}$ ; $L = 22\ \mu\text{H}$	<a href="#">Figure 9</a>
Start-up	8 LEDs; $V_{IN} = 3.6\text{ V}$ ; $I_{LOAD} = 20\text{ mA}$ ; $L = 22\ \mu\text{H}$	<a href="#">Figure 10</a>
Open LED protection	8 LEDs; $V_{IN} = 3.6\text{ V}$ ; $I_{LOAD} = 20\text{ mA}$ ; $L = 22\ \mu\text{H}$	<a href="#">Figure 11</a>

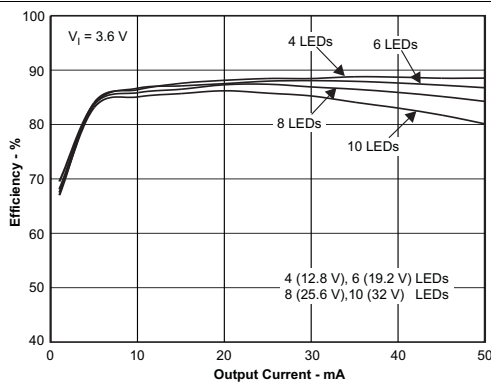


Figure 1. Efficiency vs Output Current

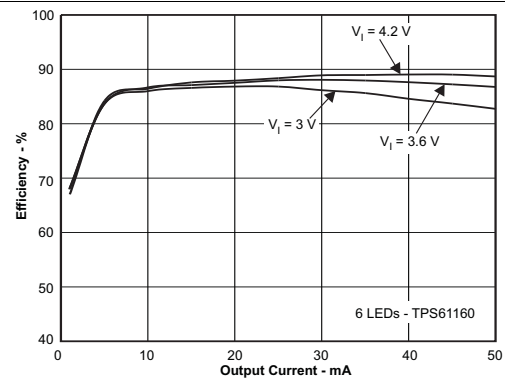


Figure 2. Efficiency vs Output Current

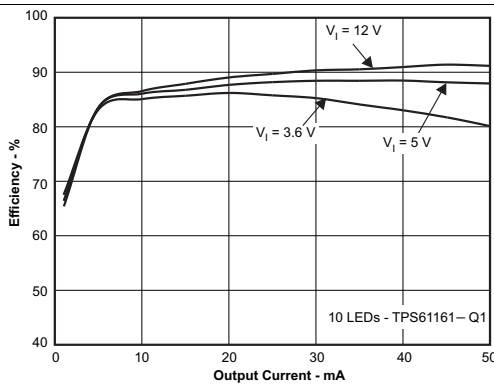


Figure 3. Efficiency vs Output Current

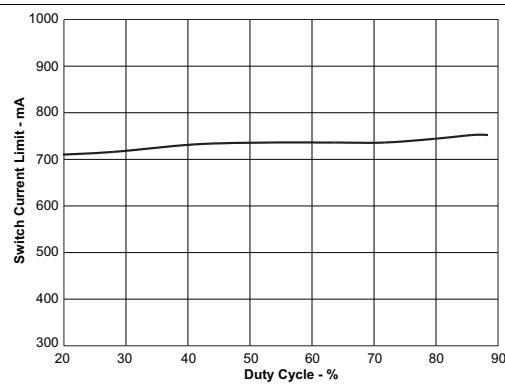


Figure 4. Switch Current Limit vs Duty Cycle

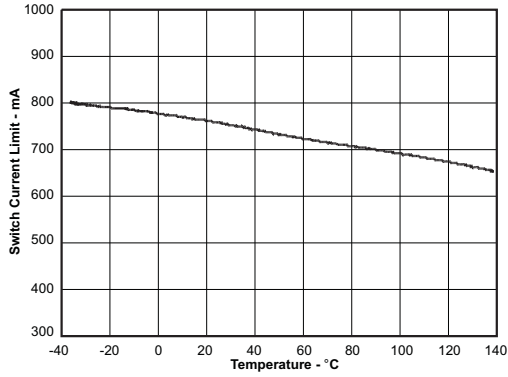


Figure 5. Switch Current Limit vs Temperature

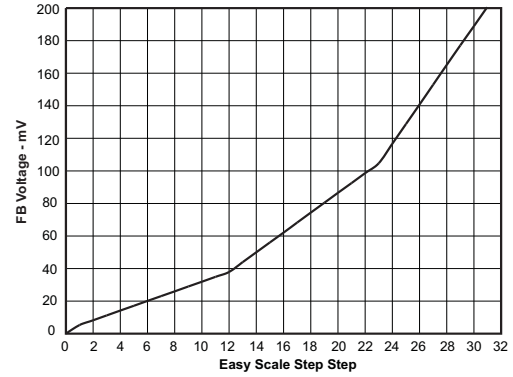


Figure 6. FB Voltage vs EasyScale Step

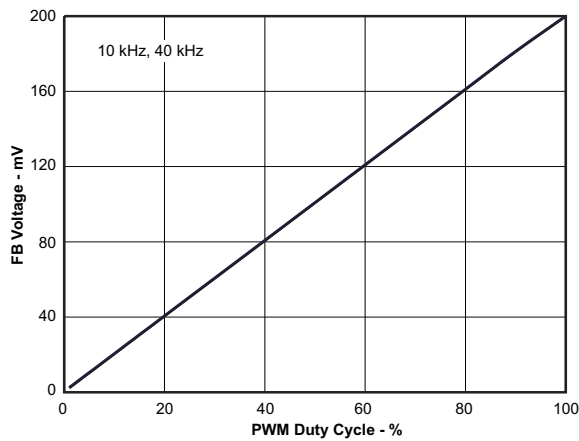


Figure 7. FB Voltage vs PWM Duty Cycle

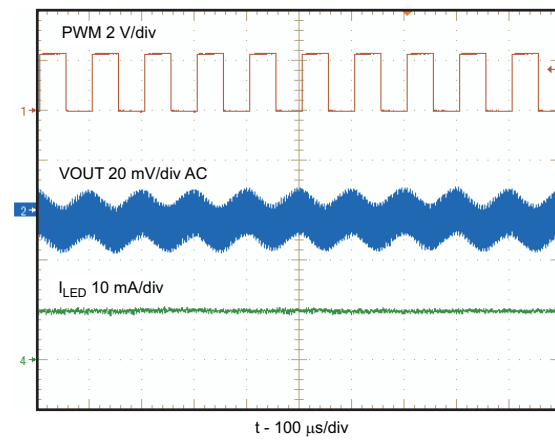


Figure 8. Output Ripple At PWM Dimming

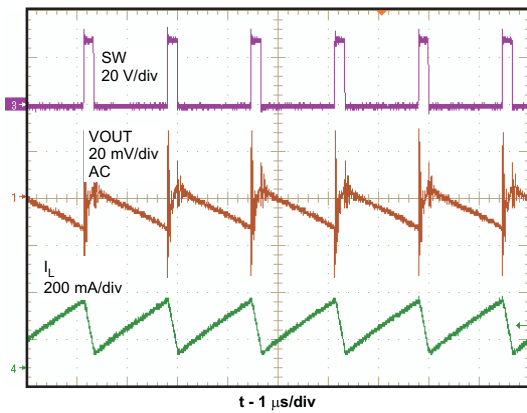


Figure 9. Switching Waveform

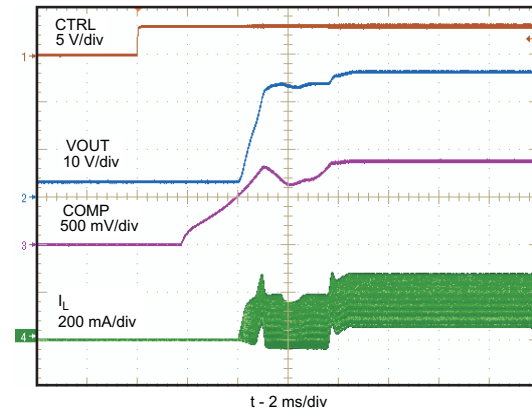
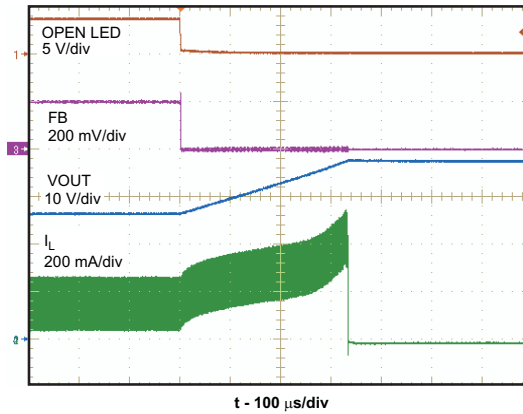


Figure 10. Start-Up



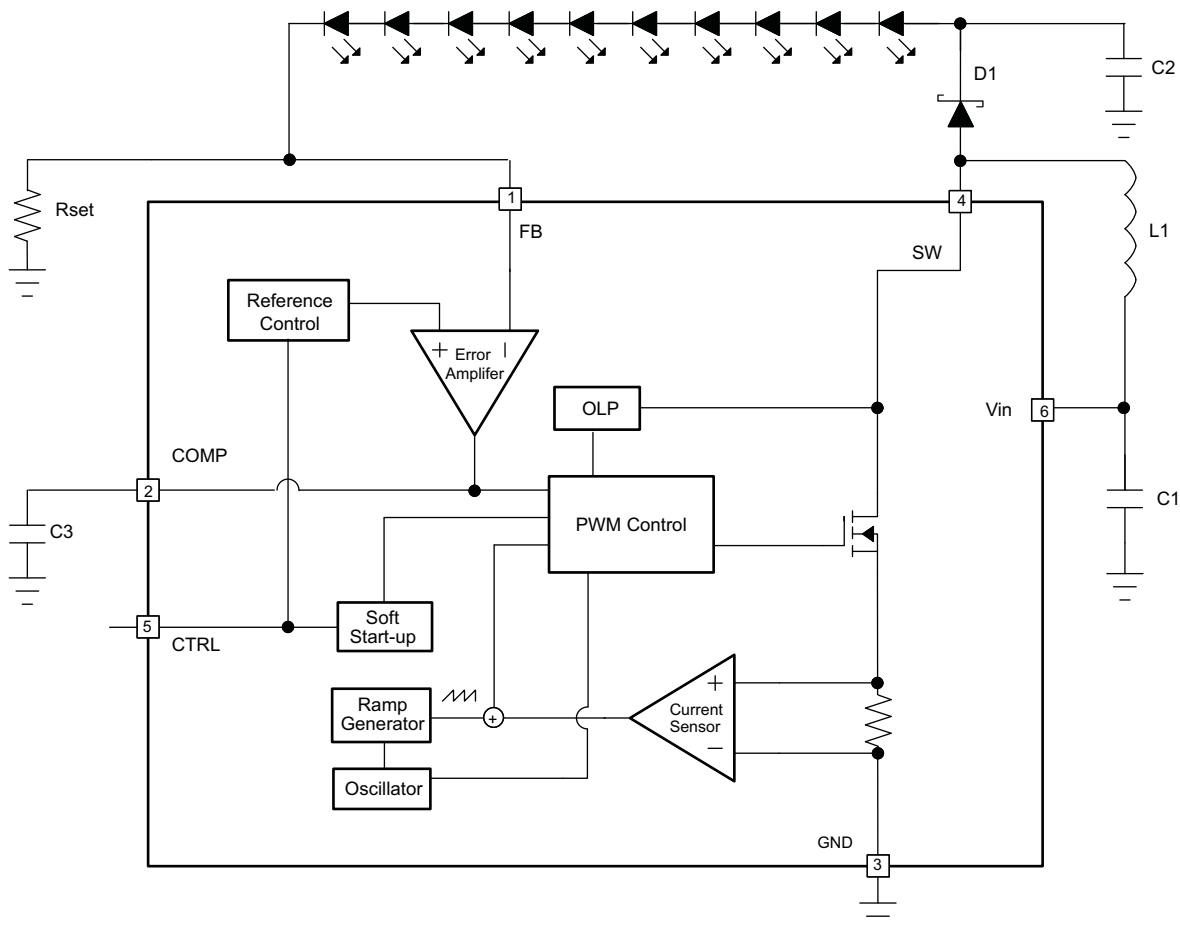
**Figure 11. Open LED Protection**

## 7 Detailed Description

### 7.1 Overview

The TPS61160 and TPS61161 are high-efficiency, high-output voltage boost converters in a small package size. These devices are ideal for driving white LED in series. The serial LED connection provides even illumination by sourcing the same output current through all LEDs, eliminating the need for expensive factory calibration. Each device integrate a 40-V, 0.7-A switch FET and operate in pulse width modulation (PWM) with 600-kHz fixed switching frequency. For operation see the block diagram. The duty cycle of the converter is set by the error amplifier output and the current signal applied to the PWM control comparator. The control architecture is based on traditional current-mode control; therefore, a slope compensation is added to the current signal to allow stable operation for duty cycles larger than 50%. The feedback loop regulates the FB pin to a low reference voltage (200 mV typical), reducing the power dissipation in the current sense resistor.

### 7.2 Functional Block Diagram



### 7.3 Feature Description

#### 7.3.1 Soft Start-Up

Soft-start circuitry is integrated into the device to avoid a high inrush current during start-up. After the device is enabled, the voltage at FB pin ramps up to the reference voltage in 32 steps with each step taking 213  $\mu$ s. This ensures that the output voltage rises slowly to reduce the input current. Additionally, for the first 5 msec after the COMP voltage ramps, the current limit of the switch is set to half of the normal current limit spec. During this period, the input current is kept below 400 mA (typical). See the start-up waveform of a typical example, [Figure 10](#).

## Feature Description (continued)

### 7.3.2 Open LED Protection

Open LED protection circuitry prevents device damage as the result of white LED disconnection. The TPS61160 and TPS61161 monitor the voltage at the SW pin and FB pin during each switching cycle. The circuitry turns off the switch FET and shuts down the device when both of the following conditions persist for 8 switching clock cycles:

1. The SW voltage exceeds the  $V_{OVP}$  threshold; and
2. The FB voltage is less than half of regulation voltage.

As a result, the output voltage falls to the level of the input supply. The device remains in shutdown mode until it is enabled by toggling the CTRL pin logic. To allow the use of inexpensive low-voltage output capacitor, the TPS61160/1 has different open lamp protection thresholds. The threshold is set at 26 V for the TPS61160 and 38 V for the TPS61161. Select the appropriate device so that the product of the number of external LEDs and each LED's maximum forward voltage plus the 200 mV reference voltage does not exceed the minimum OVP threshold or  $(n_{LEDs} \times V_{LED(MAX)} + 200 \text{ mV}) \leq V_{OVP(MIN)}$ .

### 7.3.3 Current Program

The FB voltage is regulated by a low 0.2-V reference voltage. The LED current is programmed externally using a current-sense resistor in series with the LED string. The value of the  $R_{SET}$  is calculated using [Equation 1](#):

$$I_{LED} = \frac{V_{FB}}{R_{SET}}$$

where

- $I_{LED}$  = output current of LEDs
- $V_{FB}$  = regulated voltage of FB
- $R_{SET}$  = current sense resistor

(1)

The output current tolerance depends on the FB accuracy and the current sensor resistor accuracy.

### 7.3.4 LED Brightness Dimming Mode Selection

The CTRL pin is used for the control input for both dimming modes, PWM dimming and one-wire dimming. The dimming mode for the TPS61160 or TPS61161 is selected each time the device is enabled. The default dimming mode is PWM dimming. To enter the one-wire mode, the following digital pattern on the CTRL pin must be recognized by the device every time the device starts from the shutdown mode.

1. Pull CTRL pin high to enable the TPS61160 or TPS61161 and to start the one-wire detection window.
2. After the EasyScale detection delay ( $t_{es\_delay}$ , 100  $\mu$ s) expires, drive CTRL low for more than the EasyScale detection time ( $t_{es\_detect}$ , 260  $\mu$ s).
3. The CTRL pin has to be low for more than EasyScale detection time before the EasyScale detection window ( $t_{es\_win}$ , 1 msec) expires. EasyScale detection window starts from the first CTRL pin low to high transition.

The device immediately enters the one-wire mode once the above three conditions are met. The EasyScale communication can start before the detection window expires. Once the dimming mode is programmed, it can not be changed without another start-up. This means the device needs to be shutdown by pulling the CTRL low for 2.5 ms and restarts. See [Figure 12](#) for a graphical explanation.

## Feature Description (continued)

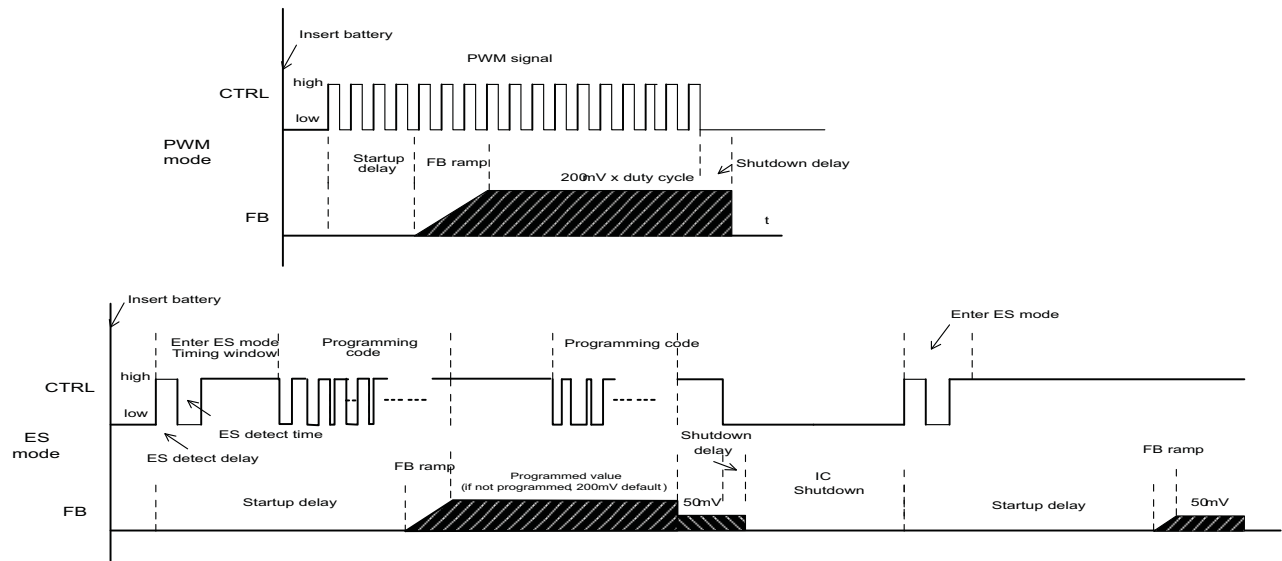


Figure 12. Dimming Mode Detection and Soft Start PWM Brightness Dimming

### 7.3.5 Undervoltage Lockout

An undervoltage lockout prevents operation of the device at input voltages below typical 2.2 V. When the input voltage is below the undervoltage threshold, the device is shutdown and the internal switch FET is turned off. If the input voltage rises by undervoltage lockout hysteresis, the device restarts.

### 7.3.6 Thermal Shutdown

An internal thermal shutdown turns off the device when the typical junction temperature of 160°C is exceeded. The device is released from shutdown automatically when the junction temperature decreases by 15°C.

## 7.4 Device Functional Modes

### 7.4.1 Shutdown

The TPS61160 or TPS61161 enters shutdown mode when the CTRL voltage is logic low for more than 2.5 ms. During shutdown, the input supply current for the device is less than 1  $\mu$ A (maximum). Although the internal FET does not switch in shutdown, there is still a DC current path between the input and the LEDs through the inductor and Schottky diode. The minimum forward voltage of the LED array must exceed the maximum input voltage to ensure that the LEDs remain off in shutdown. However, in the typical application with two or more LEDs, the forward voltage is large enough to reverse bias the Schottky and keep leakage current low.

### 7.4.2 PWM Brightness Dimming

When the CTRL pin is constantly high, the FB voltage is regulated to 200 mV typically. However, the CTRL pin allows a PWM signal to reduce this regulation voltage; therefore, it achieves LED brightness dimming. The relationship between the duty cycle and FB voltage is given by [Equation 2](#).

$$V_{FB} = \text{Duty} \times 200 \text{ mV}$$

where

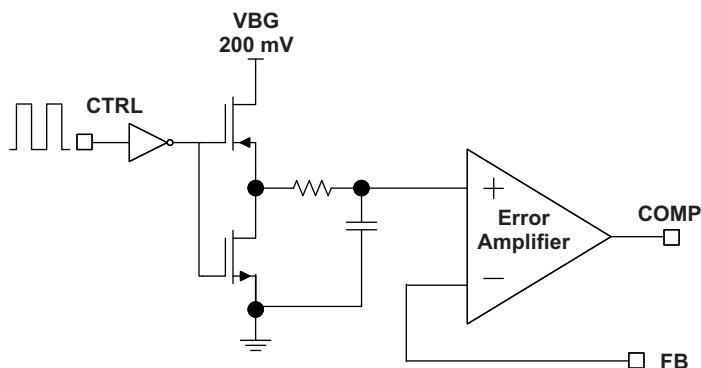
- Duty = duty cycle of the PWM signal
- 200 mV = internal reference voltage

(2)

## Device Functional Modes (continued)

As shown in [Figure 13](#), the device chops up the internal 200-mV reference voltage at the duty cycle of the PWM signal. The pulse signal is then filtered by an internal low pass filter. The output of the filter is connected to the error amplifier as the reference voltage for the FB pin regulation. Therefore, although a PWM signal is used for brightness dimming, only the WLED DC current is modulated, which is often referred as analog dimming. This eliminates the audible noise which often occurs when the LED current is pulsed in replica of the frequency and duty cycle of PWM control. Unlike other scheme which filters the PWM signal for analog dimming, TPS61160, TPS61161 regulation voltage is independent of the PWM logic voltage level which often has large variations.

For optimum performance, use the PWM dimming frequency in the range of 5 kHz to 100 kHz. The requirement of minimum dimming frequency comes from the EasyScale detection delay and detection time specification in the dimming mode selection. Since the CTRL pin is logic only pin, adding an external RC filter applied to the pin does not work.



**Figure 13. Block Diagram of Programmable FB Voltage Using PWM Signal**

To use lower PWM dimming, add an external RC network connected to the FB pin as shown in [Figure 19](#).

### 7.4.3 Digital One-Wire Brightness Dimming

The CTRL pin features a simple digital interface to allow digital brightness control. The digital dimming can save the processor power and battery life as it does not require a PWM signal all the time, and the processor can enter idle mode if available.

The TPS61160 or TPS61161 adopts the EasyScale protocol for the digital dimming, which can program the FB voltage to any of the 32 steps with single command. The step increment increases with the voltage to produce pseudo logarithmic curve for the brightness step. See the [Table 1](#) for the FB pin voltage steps. The default step is full scale when the device is first enabled ( $V_{FB} = 200$  mV). The programmed reference voltage is stored in an internal register. A power reset clears the register value and reset it to default.

Do not use EasyScale to change the feedback voltage from 0 mV, effectively disabling the device, to any other voltage. One alternative is to start with  $V_{FB} = 10$  mV and go to a higher voltage. Another alternative is to disable the device by taking the CTRL pin low for 2.5 ms and then re-enter EasyScale to force a soft start from  $V_{FB} = 0$  mV to the default 200 mV.

## Device Functional Modes (continued)

### 7.4.4 External PWM Dimming

For assistance in selecting the proper values for  $R_{SET}$ , R1-R3, RFLTR, CFLTR and D2 for the specific application, refer to *How to Use Analog Dimming With the TPS6116x (SLVA471)* and/or *Design Tool for Analog Dimming Using a PWM Signal (SLVC366)*. Also see [Choosing Component Values](#).

## 7.5 Programming

### 7.5.1 EasyScale: One-Wire Digital Dimming

EasyScale is a simple but flexible one pin interface to configure the FB voltage. The interface is based on a master-slave structure, where the master is typically a microcontroller or application processor. [Figure 14](#) and [Table 2](#) give an overview of the protocol. The protocol consists of a device specific address byte and a data byte. The device specific address byte is fixed to 72 hex. The data byte consists of five bits for information, two address bits, and the RFA bit. The RFA bit set to high indicates the *Request for Acknowledge* condition. The Acknowledge condition is only applied if the protocol was received correctly. The advantage of EasyScale compared with other one-pin interfaces is that its bit detection is in a large extent independent from the bit transmission rate. It can automatically detect bit rates from 1.7 kBit/sec and up to 160 kBit/sec.

**Table 1. Selectable FB Voltages<sup>(1)</sup>**

	FB voltage (mV)	D4	D3	D2	D1	D0
0	0	0	0	0	0	0
1	5	0	0	0	0	1
2	8	0	0	0	1	0
3	11	0	0	0	1	1
4	14	0	0	1	0	0
5	17	0	0	1	0	1
6	20	0	0	1	1	0
7	23	0	0	1	1	1
8	26	0	1	0	0	0
9	29	0	1	0	0	1
10	32	0	1	0	1	0
11	35	0	1	0	1	1
12	38	0	1	1	0	0
13	44	0	1	1	0	1
14	50	0	1	1	1	0
15	56	0	1	1	1	1
16	62	1	0	0	0	0
17	68	1	0	0	0	1
18	74	1	0	0	1	0
19	80	1	0	0	1	1
20	86	1	0	1	0	0
21	92	1	0	1	0	1
22	98	1	0	1	1	0
23	104	1	0	1	1	1
24	116	1	1	0	0	0
25	128	1	1	0	0	1
26	140	1	1	0	1	0
27	152	1	1	0	1	1
28	164	1	1	1	0	0
29	176	1	1	1	0	1
30	188	1	1	1	1	0
31	200	1	1	1	1	1

(1) See [Digital One-Wire Brightness Dimming](#).

DATA IN

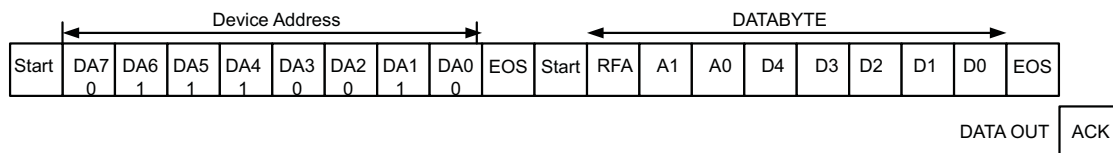
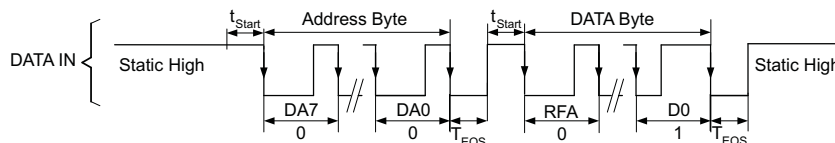

**Figure 14. EasyScale Protocol Overview**

Table 2. EasyScale Bit Descriptions

BYTE	BIT NUMBER	NAME	TRANSMISSION DIRECTION	DESCRIPTION
Device Address Byte 72 hex	7	DA7	IN	0 MSB device address
	6	DA6		1
	5	DA5		1
	4	DA4		1
	3	DA3		0
	2	DA2		0
	1	DA1		1
	0	DA0		0 LSB device address
Data byte	7 (MSB)	RFA	IN	Request for acknowledge. If high, acknowledge is applied by device
	6	A1		0 Address bit 1
	5	A0		0 Address bit 0
	4	D4		Data bit 4
	3	D3		Data bit 3
	2	D2		Data bit 2
	1	D1		Data bit 1
	0 (LSB)	D0		Data bit 0
		ACK	OUT	Acknowledge condition active 0, this condition will only be applied in case RFA bit is set. Open drain output, Line needs to be pulled high by the host with a pullup resistor. This feature can only be used if the master has an open drain output stage. In case of a push pull output stage Acknowledge condition may not be requested!

Easy Scale Timing, without acknowledge RFA = 0



Easy Scale Timing, with acknowledge RFA = 1

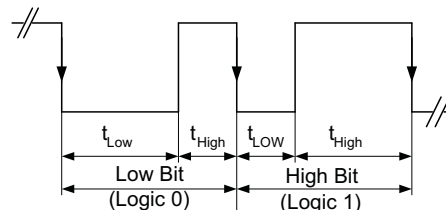
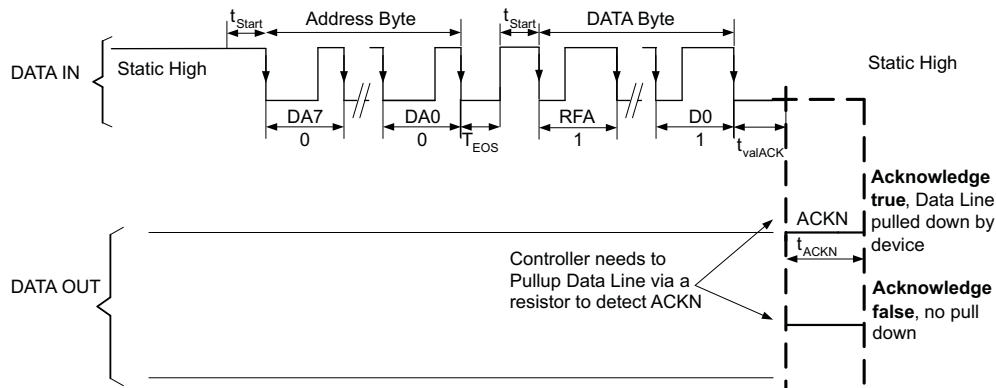


Figure 15. EasyScale Bit Coding

All bits are transmitted MSB first and LSB last. [Figure 15](#) shows the protocol without acknowledge request (Bit RFA = 0) as well as the with acknowledge (Bit RFA = 1) request. Prior to both bytes, device address byte and data byte, a start condition must be applied. For this, the CTRL pin must be pulled high for at least  $t_{\text{start}}$  (2  $\mu\text{s}$ ) before the bit transmission starts with the falling edge. If the CTRL pin is already at high level, no start condition is needed prior to the device address byte. The transmission of each byte is closed with an End-of-Stream condition for at least  $t_{\text{EOS}}$  (2  $\mu\text{s}$ ).

The bit detection is based on a Logic Detection scheme, where the criterion is the relation between  $t_{\text{LOW}}$  and  $t_{\text{HIGH}}$ . It can be simplified to:

High Bit:  $t_{\text{HIGH}} > t_{\text{LOW}}$ , but with  $t_{\text{HIGH}}$  at least  $2 \times t_{\text{LOW}}$ , see [Figure 15](#).

Low Bit:  $t_{\text{HIGH}} < t_{\text{LOW}}$ , but with  $t_{\text{LOW}}$  at least  $2 \times t_{\text{HIGH}}$ , see [Figure 15](#).

The bit detection starts with a falling edge on the CTRL pin and ends with the next falling edge. Depending on the relation between  $t_{\text{HIGH}}$  and  $t_{\text{LOW}}$ , the logic 0 or 1 is detected.

The acknowledge condition is only applied if:

- Acknowledge is requested by a set RFA bit.
- The transmitted device address matches with the device address of the device.
- 16 bits is received correctly.

If the device turns on the internal ACKN-MOSFET and pulls the CTRL pin low for the time  $t_{\text{ACKN}}$ , which is 512  $\mu\text{s}$  maximum then the Acknowledge condition is valid after an internal delay time  $t_{\text{valACK}}$ . This means that the internal ACKN-MOSFET is turned on after  $t_{\text{valACK}}$ , when the last falling edge of the protocol was detected. The master controller keeps the line low in this period. The master device can detect the acknowledge condition with its input by releasing the CTRL pin after  $t_{\text{valACK}}$  and read back a logic 0. The CTRL pin can be used again after the acknowledge condition ends.

Note that the acknowledge condition may only be requested in case the master device has an open drain output. For a push-pull output stage, the use a series resistor in the CTRL line to limit the current to 500  $\mu\text{A}$  is recommended to for such cases as:

- an accidentally requested acknowledge, or
- to protect the internal ACKN-MOSFET.

## 8 Application and Implementation Information

### NOTE

Information in the following applications information sections is not part of the TI component specification, and TI does not warrant its accuracy or completeness. TI's customers are responsible for determining suitability of components for their purposes. Customers should validate and test their design implementation to confirm system functionality.

### 8.1 Application Information

The TPS61160 and TPS61161 provide a complete high-performance LED lighting solution for mobile devices supporting a single string of 6 (TPS61160) or 10 (TPS61161) white LEDs.

### 8.2 Typical Applications

#### 8.2.1 Typical Application of TPS61161

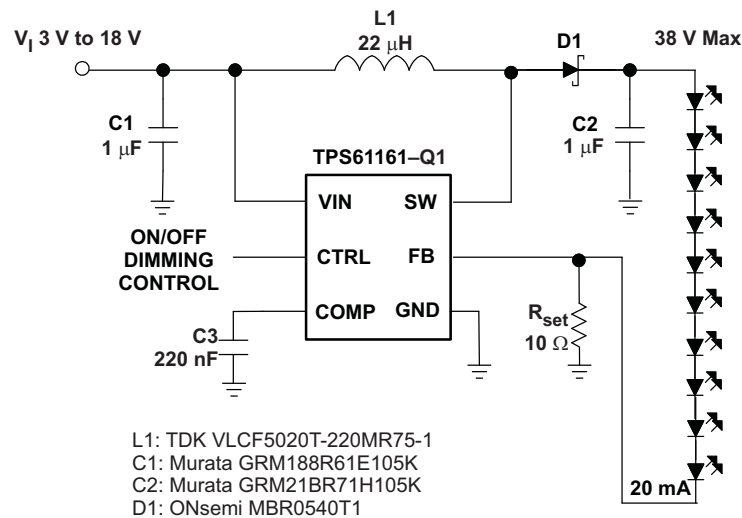


Figure 16. Typical Application of TPS61161

#### 8.2.1.1 Design Requirements

Example requirements for white-LED-driver applications:

Table 3. Design Parameters

DESIGN PARAMETER	EXAMPLE VALUE
Inductor	22 $\mu$ H
Minimum input voltage	3 V
Number of series LED	10
LED maximum forward voltage (Vf)	3.2 V
Schottky diode forward voltage (Vf)	0.2 V
Efficiency ( $\eta$ )	85%
Switching frequency (SW)	600 kHz

Applying [Equation 3](#) and [Equation 4](#), when  $V_{IN}$  is 3 V, 10 LEDs output equivalent to  $V_{OUT}$  of 32.2 V, the inductor is 22  $\mu$ H, the Schottky forward voltage is 0.2 V, the maximum output current is 47 mA in typical condition.

### 8.2.1.2 Detailed Design Procedure

#### 8.2.1.2.1 Maximum Output Current

The overcurrent limit in a boost converter limits the maximum input current and thus maximum input power for a given input voltage. Maximum output power is less than maximum input power due to power conversion losses. Therefore, the current limit setting, input voltage, output voltage and efficiency can all change maximum current output. The current limit clamps the peak inductor current; therefore, the ripple has to be subtracted to derive maximum DC current. The ripple current is a function of switching frequency, inductor value and duty cycle. [Equation 3](#) and [Equation 4](#) take into account of all the above factors for maximum output current calculation.

$$I_p = \frac{1}{L \times F_s \times \left( \frac{1}{V_{OUT} + V_f + V_{IN}} + \frac{1}{V_{IN}} \right)}$$

where

- $I_p$  = inductor peak-to-peak ripple
- $L$  = inductor value
- $V_f$  = Schottky diode forward voltage
- $F_s$  = switching frequency
- $V_{out}$  = output voltage of the boost converter. It is equal to the sum of VFB and the voltage drop across LEDs.

(3)

$$I_{OUT\_MAX} = \frac{V_{IN} \times \left( I_{LIM} - \frac{I_p}{2} \right) \times \eta}{V_{OUT}}$$

where

- $I_{out\_max}$  = maximum output current of the boost converter
- $I_{lim}$  = overcurrent limit
- $\eta$  = efficiency

(4)

For instance, when  $V_{IN}$  is 3 V, 8 LEDs output equivalent to  $V_{OUT}$  of 26 V, the inductor is 22  $\mu$ H, the Schottky forward voltage is 0.2 V; and then the maximum output current is 65 mA in typical condition. When  $V_{IN}$  is 5 V, 10 LEDs output equivalent to  $V_{OUT}$  of 32 V, the inductor is 22  $\mu$ H, the Schottky forward voltage is 0.2 V; and then the maximum output current is 85 mA in typical condition.

#### 8.2.1.2.2 Inductor Selection

The selection of the inductor affects steady state operation as well as transient behavior and loop stability. These factors make it the most important component in power regulator design. There are three important inductor specifications, inductor value, DC resistance and saturation current. Considering inductor value alone is not enough.

The inductor value determines the inductor ripple current. Choose an inductor that can handle the necessary peak current without saturating, according to half of the peak-to-peak ripple current given by [Equation 3](#), pause the inductor DC current given by:

$$I_{IN\_DC} = \frac{V_{OUT} \times I_{OUT}}{V_{IN} \times \eta}$$

(5)

Inductor values can have  $\pm 20\%$  tolerance with no current bias. When the inductor current approaches saturation level, its inductance can decrease 20% to 35% from the 0A value depending on how the inductor vendor defines saturation current. Using an inductor with a smaller inductance value forces discontinuous PWM when the inductor current ramps down to zero before the end of each switching cycle. This reduces the boost converter's maximum output current, causes large input voltage ripple and reduces efficiency. Large inductance value

provides much more output current and higher conversion efficiency. For these reasons, a 10- $\mu$ H to 22- $\mu$ H inductor value range is recommended. A 22- $\mu$ H inductor optimized the efficiency for most application while maintaining low inductor peak-to-peak ripple. [Table 4](#) lists the recommended inductor for the TPS61160 or TPS61161. When recommending inductor value, the factory has considered –40% and 20% tolerance from its nominal value.

The TPS61160 and TPS61161 have built-in slope compensation to avoid sub-harmonic oscillation associated with current mode control. If the inductor value is lower than 10  $\mu$ H, the slope compensation may not be adequate, and the loop can be unstable. Therefore, customers need to verify the inductor in their application if it is different from the recommended values.

**Table 4. Recommended Inductors for TPS61160 and TPS61161**

PART NUMBER	L ( $\mu$ H)	DCR MAX ( $\Omega$ )	SATURATION CURRENT (mA)	SIZE (L x W x H mm)	VENDOR
LQH3NPN100NM0	10	0.3	750	3 x3 x1.5	Murata
VLCF5020T-220MR75-1	22	0.4	750	5 x5 x 2.0	TDK
CDH3809/SLD	10	0.3	570	4 x 4 x 1.0	Sumida
A997AS-220M	22	0.4	510	4 x 4 x 1.8	TOKO

### 8.2.1.2.3 Schottky Diode Selection

The high switching frequency of the TPS61160, TPS61161 demands a high-speed rectification for optimum efficiency. Ensure that the diode average and peak current rating exceeds the average output current and peak inductor current. In addition, the diode's reverse breakdown voltage must exceed the open LED protection voltage. The ONSem MBR0540 and the ZETEX ZHCS400 are recommended for TPS61160 and TPS61161.

### 8.2.1.2.4 Compensation Capacitor Selection

The compensation capacitor C3 (see the [Functional Block Diagram](#)), connected from COMP pin to GND, is used to stabilize the feedback loop of the TPS61160, TPS61161. A 220-nF ceramic capacitor for C3 is suitable for most applications.

### 8.2.1.2.5 Input and Output Capacitor Selection

The output capacitor is mainly selected to meet the requirements for the output ripple and loop stability. This ripple voltage is related to the capacitor's capacitance and its equivalent series resistance (ESR). Assuming a capacitor with zero ESR, the minimum capacitance needed for a given ripple can be calculated by:

$$C_{OUT} = \frac{(V_{OUT} - V_{IN})I_{OUT}}{V_{OUT} \times F_S \times V_{RIPPLE}}$$

where

- $V_{ripple}$  = peak-to-peak output ripple (6)

The additional output ripple component caused by ESR is calculated using:

$$V_{RIPPLE\_ESR} = I_{OUT} \times R_{ESR} \tag{7}$$

Due to its low ESR,  $V_{ripple\_ESR}$  can be neglected for ceramic capacitors, but must be considered if tantalum or electrolytic capacitors are used.

Care must be taken when evaluating a ceramic capacitor's derating under DC bias, aging and AC signal. For example, larger form factor capacitors (in 1206 size) have a resonant frequencies in the range of the switching frequency. So the effective capacitance is significantly lower. The DC bias can also significantly reduce capacitance. Ceramic capacitors can loss as much as 50% of its capacitance at its rated voltage. Therefore, leave the margin on the voltage rating to ensure adequate capacitance at the required output voltage.

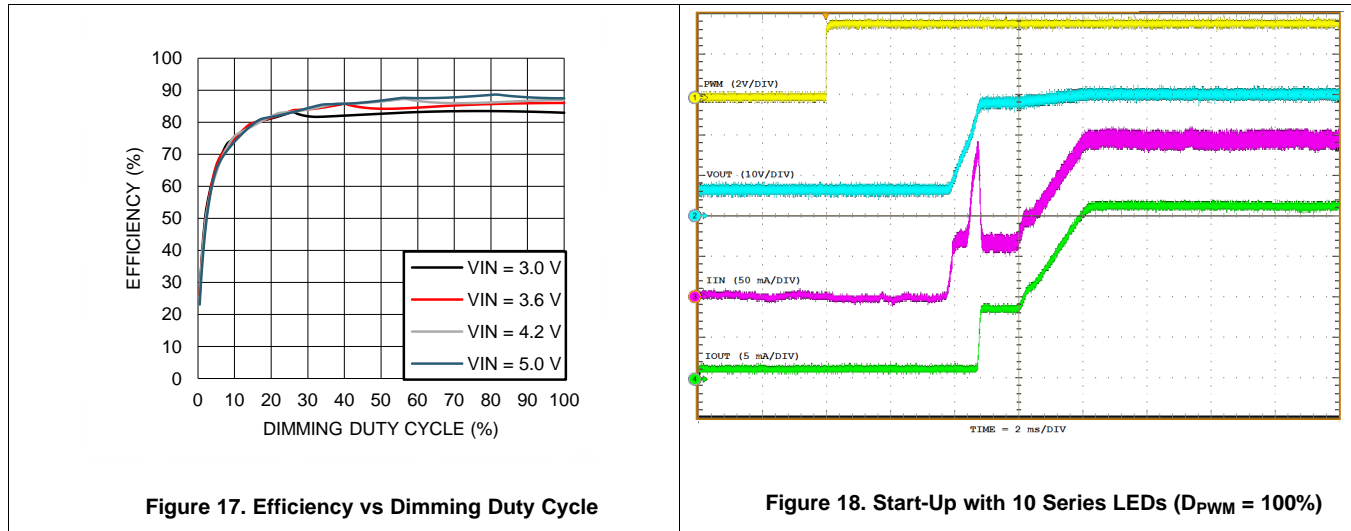
The capacitor in the range of 1  $\mu$ F to 4.7  $\mu$ F is recommended for input side. The output requires a capacitor in the range of 0.47  $\mu$ F to 10  $\mu$ F. The output capacitor affects the loop stability of the boost regulator. If the output capacitor is below the range, the boost regulator can potentially become unstable. For example, when using an output capacitor of 0.1  $\mu$ F, a 470-nF compensation capacitor has to be used for the loop stable.

The popular vendors for high value ceramic capacitors are:

TDK (<http://www.component.tdk.com/components.php>)

Murata (<http://www.murata.com/cap/index.html>)

### 8.2.1.3 Application Curves



### 8.2.2 Li-Ion Driver for 6 White LEDs with External PWM Dimming Network

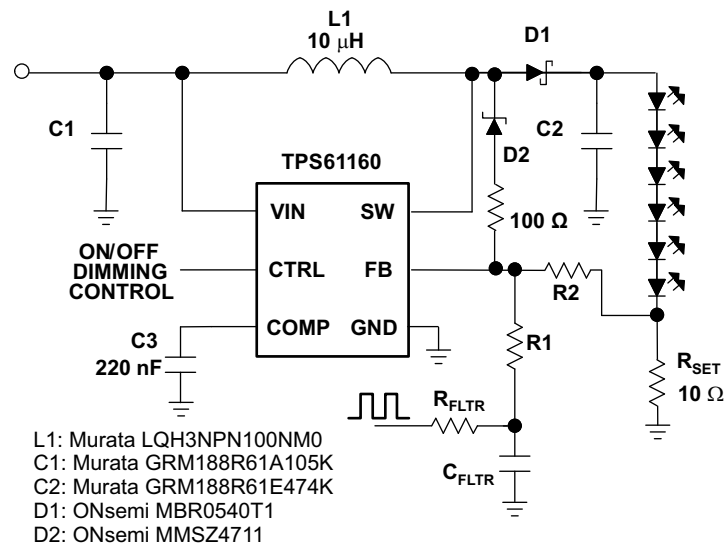


Figure 19. Li-Ion Driver for 6 White LEDs with External PWM Dimming

### 8.2.2.1 Design Requirements

Example parameters for white LEDs with external PWM dimming:

**Table 5. Design Parameters for White LEDs with External PWM Dimming**

DESIGN PARAMETER	EXAMPLE VALUE
Inductor	10 $\mu$ H
Minimum input voltage	3.6 V
Number of series LED	6
LED maximum forward voltage (V <sub>f</sub> )	3.2 V
Schottky diode forward voltage (V <sub>f</sub> )	0.2 V
Efficiency	90%
Switching frequency (f <sub>sw</sub> )	600 kHz
External PWM output voltage	3 V
External PWM frequency	20 kHz

Applying [Equation 3](#) and [Equation 4](#) when V<sub>IN</sub> is 3 V, 6 LEDs output equivalent to V<sub>OUT</sub> of 19.4 V, the inductor is 10  $\mu$ H, the Schottky forward voltage is 0.2 V, the maximum output current is 76 mA in typical condition.

### 8.2.2.2 Detailed Design Procedure

#### 8.2.2.2.1 Choosing Component Values

As per [SLVA471](#), the values of R<sub>FLTR</sub>, C<sub>FLTR</sub>, R<sub>1</sub>, R<sub>2</sub>, and R<sub>SET</sub> are determined by the system parameters and error tolerance. The main source of LED current error is leakage current from the FB pin. The error gets worse as the LED current decreases. The error due to leakage current is given by [Functional Block Diagram](#), where the impedance seen by the FB pin has a major impact. To reduce error due to the leakage current, the impedance seen by the FB pin needs to be small. Because R<sub>2</sub> is much smaller than R<sub>1</sub> + R<sub>FLTR</sub>, R<sub>2</sub> must be chosen to be small to minimize the impedance seen by the FB pin. In general, R<sub>2</sub> must be chosen to be 1 k $\Omega$  or less. If greater accuracy at smaller currents is needed, then R<sub>2</sub> must be chosen to be even smaller.

$$\%error = \frac{I_{FB}}{V_{FB} \left( \frac{1}{R_1 + R_{FLTR}} \parallel R_2 \right) - \frac{D \times V_{PWM(H)} + (1 - D)V_{PWM(L)}}{R_1 + R_{FLTR}}} \quad (8)$$

Once R<sub>2</sub> has been chosen, the value of R<sub>SET</sub> and R<sub>1</sub> + R<sub>FLTR</sub> can be calculated using [Equation 9](#), [Equation 10](#), [Equation 11](#), and [Equation 12](#). The individual values of R<sub>1</sub> and R<sub>FLTR</sub> can be any combination that sums up to R<sub>1</sub> + R<sub>FLTR</sub>. In general, choosing R<sub>1</sub> and R<sub>FLTR</sub> to be the same value gives a minimum requirement for C<sub>FLTR</sub>.

$$V_{PWM(min)} = D_{(min)}V_{PWM(H)} + (1 - D_{(min)})V_{PWM(L)} \quad (9)$$

$$V_{PWM(max)} = D_{(max)}V_{PWM(H)} + (1 - D_{(max)})V_{PWM(L)} \quad (10)$$

$$R_{SET} = \frac{V_{FB} (V_{PWM(max)} - V_{PWM(min)})}{V_{PWM(max)}I_{LED(max)} - V_{FB}I_{LED(max)} + V_{FB}I_{LED(min)} - V_{PWM(min)}I_{LED(min)}} \quad (11)$$

$$R_1 + R_{FLTR} = \frac{R_2(I_{LED(max)}(V_{PWM(max)} - V_{FB}) - I_{LED(min)}(V_{PWM(min)} - V_{FB}))}{V_{FB}(I_{LED(max)} - I_{LED(min)})} + \frac{V_{PWM(max)} - V_{PWM(min)}}{I_{LED(max)} - I_{LED(min)}} \quad (12)$$

Finally, C<sub>FLTR</sub> can be chosen based on the amount of filtering desired or to provide a gradual dimming effect that is popular in many lighting products. At a minimum, C<sub>FLTR</sub> must be chosen to provide at least 20 dB of attenuation at the PWM frequency. [Equation 13](#) can be used to calculate the minimum capacitor value to provide this attenuation.

$$C_{FLTR} = \frac{1}{2\pi (R_{FLTR} \parallel R_1) \frac{f_{pwm}}{10}} \quad (13)$$

To provide gradual dimming, a large capacitor must be chosen to provide a long transient time when changing the PWM duty cycle. Equation 14 shows how to calculate the recommended corner frequency of the RC filter based on the 10% to 90% rise time. Once the corner frequency is known, it can be used to calculate the required capacitor using Equation 15.

$$f_{RC} = \frac{0.35}{t_r} \tag{14}$$

$$C_{FLTR} = \frac{1}{2\pi (R_{FLTR} // R_1) f_{RC}} \tag{15}$$

For example, a design with  $R_{FLTR}$  and  $R_1$  equal to 10 k $\Omega$  and a desired rise time of 500 ms requires a corner frequency of 0.7 Hz and a capacitor of 47  $\mu$ F.

### 8.2.2.3 Application Curves

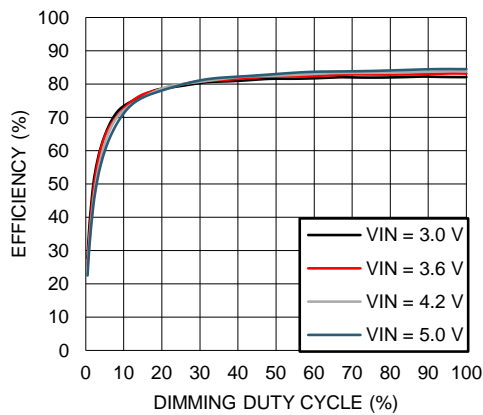


Figure 20. Efficiency vs Dimming Duty Cycle

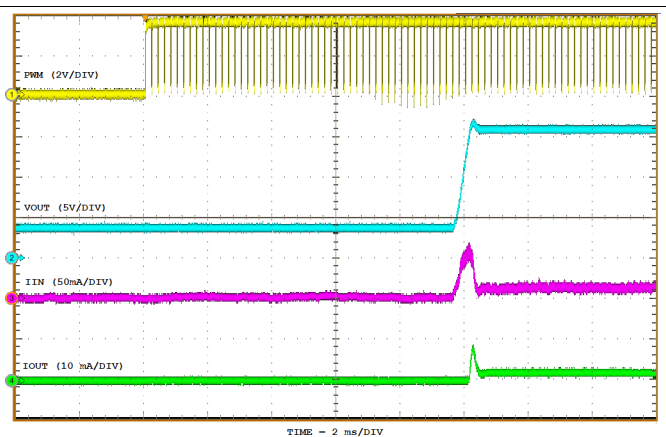


Figure 21. Start-Up with 6 Series LEDs (External PWM,  $D_{PWM} = 50\%$ )

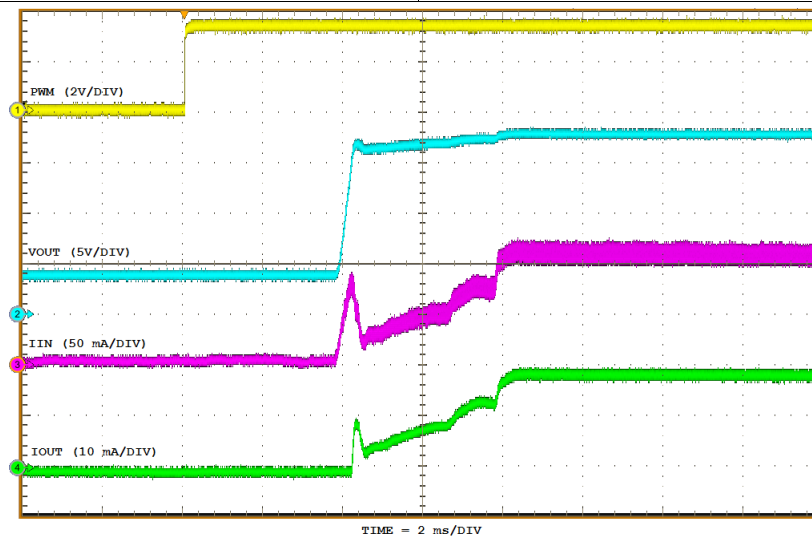


Figure 22. Start-Up with 6 Series LEDs (External PWM,  $D_{PWM} = 100\%$ )

### 8.2.3 Li-Ion Driver for 6 White LEDs

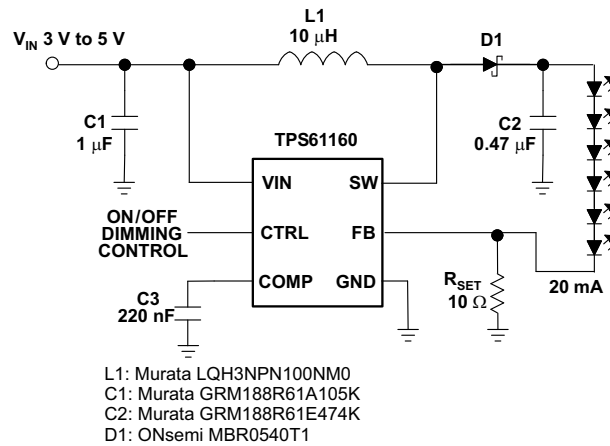


Figure 23. Li-Ion Driver for 6 White LEDs

#### 8.2.3.1 Design Requirements

Example parameters for Li-Ion drivers with 6 white LEDs:

Table 6. Design Parameters for Li-Ion Driver with 6 White LEDs

DESIGN PARAMETER	EXAMPLE VALUE
Inductor	10 $\mu$ H
Minimum input voltage	3 V
Number of series LED	6
LED maximum forward voltage (Vf)	3.2 V
Schottky diode forward voltage (Vf)	0.6 V
Efficiency ( $\eta$ )	88%
Switching frequency	600 kHz

Applying Equation 3 and Equation 4, when  $V_{IN}$  is 3 V, 6 LEDs output equivalent to  $V_{OUT}$  of 19.4 V, the inductor is 10  $\mu$ H, the Schottky forward voltage is 0.2 V, the maximum output current is 66 mA in typical condition.

#### 8.2.3.2 Detailed Design Procedure

See [Detailed Design Procedure](#).

### 8.2.3.3 Application Curves

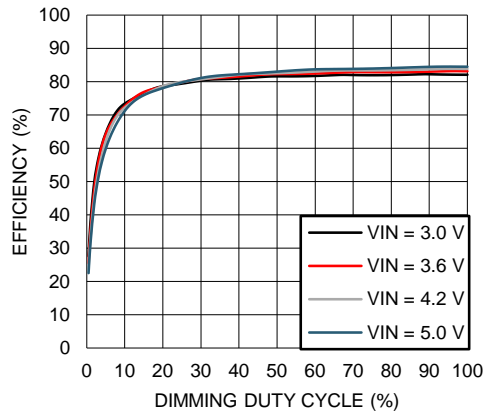


Figure 24. Efficiency vs Duty Cycle

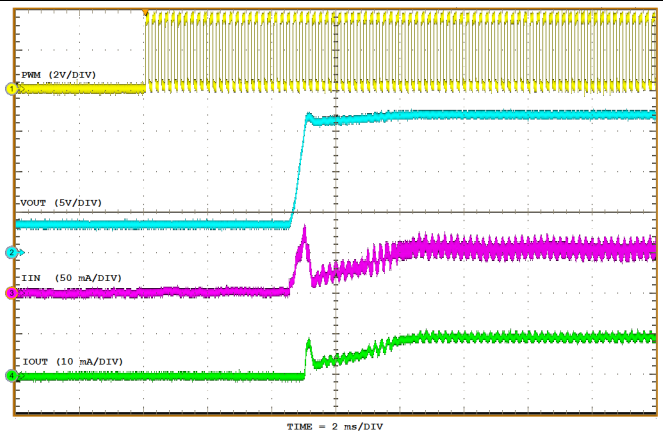


Figure 25. Start-Up with 6 Series LEDs ( $D_{P\text{WM}} = 50\%$ )

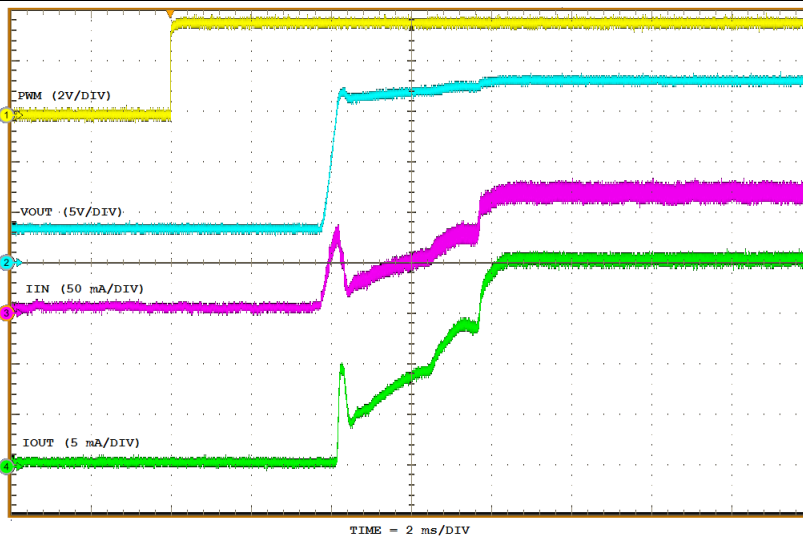


Figure 26. Start-Up with 6 Series LEDs ( $D_{P\text{WM}} = 100\%$ )

### 8.2.4 Li-Ion Driver for 8 White LEDs

For assistance in selecting the proper values for  $R_{\text{SET}}$ , R1-R3, RFLTR, CFLTR and D2 for the specific application, refer to [SLVA471](#) and/or [SLVC366](#).

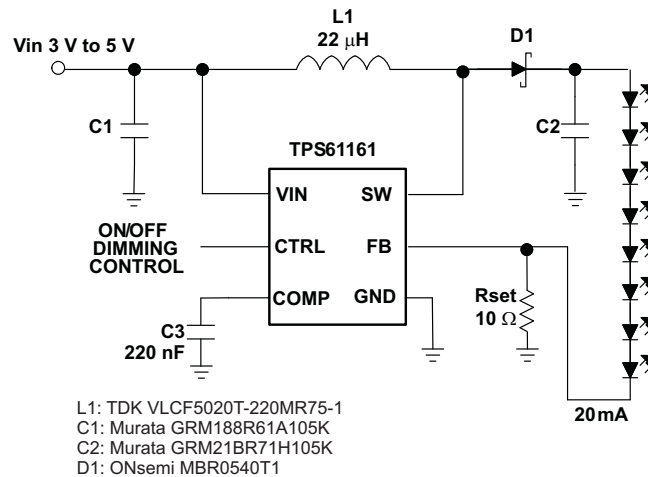


Figure 27. Li-Ion Driver for 8 White LEDs

### 8.2.4.1 Design Requirements

Example parameters for Li-Ion driver with 8 white LEDs:

Table 7. Design Parameters for Li-Ion Driver with 8 White LEDs

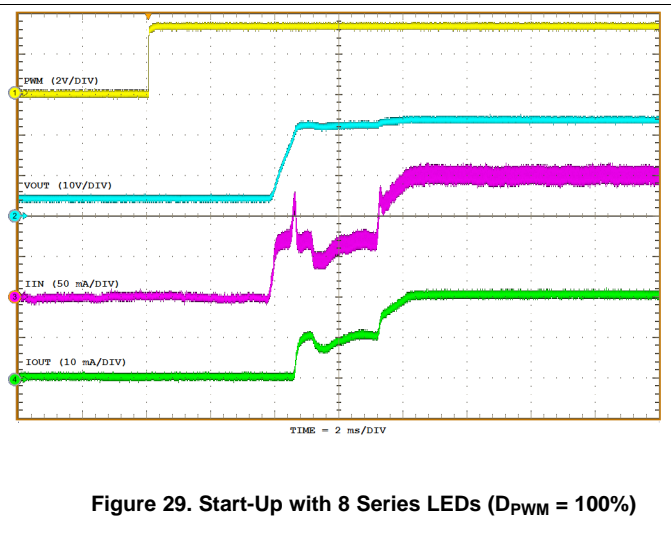
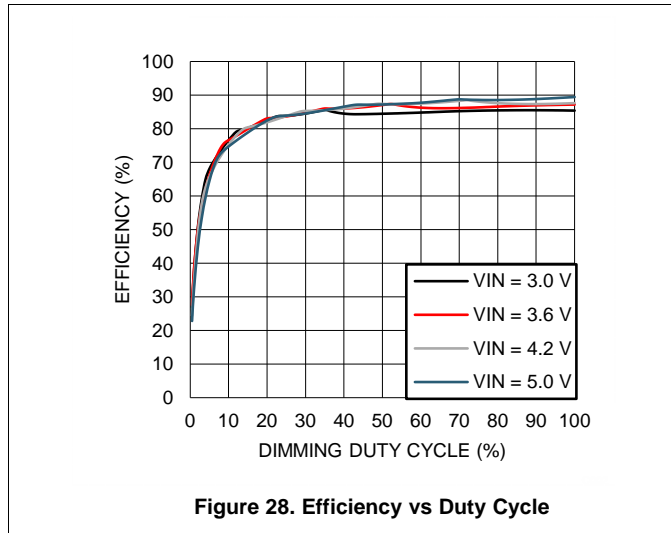
DESIGN PARAMETER	EXAMPLE VALUE
Inductor	22 $\mu$ H
Minimum input voltage	3 V
Number of series LED	8
LED maximum forward voltage (Vf)	3.2 V
Schottky diode forward voltage	0.2 V
Efficiency ( $\eta$ )	85%
Switching frequency	600 kHz

Applying Equation 3 and Equation 4, when  $V_{IN}$  is 3 V, 8 LEDs output equivalent to  $V_{OUT}$  of 25.8 V, the inductor is 22  $\mu$ H, the Schottky forward voltage is 0.2 V, the maximum output current is 60 mA in typical condition.

### 8.2.4.2 Detailed Design Procedure

See [Detailed Design Procedure](#).

### 8.2.4.3 Application Curves



## 9 Power Supply Recommendations

The TPS61160 and TPS61161 are designed to operate from an input supply range of 2.7 V to 18 V. This input supply must be well regulated and be able to provide the peak current required by the LED configuration and inductor selected without voltage drop under load transients (start-up or rapid brightness change). The resistance of the input supply rail must be low enough such that the input current transient does not cause the TPS61160 and TPS61161 supply voltage to droop more than 5%. Additional bulk decoupling located close to the input capacitor ( $C_{IN}$ ) may be required to minimize the impact of the input supply rail resistance.

## 10 Layout

### 10.1 Layout Guidelines

As for all switching power supplies, especially those high frequency and high current ones, layout is an important design step. If layout is not carefully done, the regulator could suffer from instability as well as noise problems. To reduce switching losses, the SW pin rise and fall times are made as short as possible. To prevent radiation of high frequency resonance problems, proper layout of the high frequency switching path is essential. Minimize the length and area of all traces connected to the SW pin and always use a ground plane under the switching regulator to minimize inter-plane coupling. The loop including the PWM switch, Schottky diode, and output capacitor, contains high current rising and falling in nanosecond and must be kept as short as possible. The input capacitor must not only be close to the VIN pin, but also to the GND pin in order to reduce the device supply ripple. [Figure 30](#) shows a sample layout.

### 10.2 Layout Example

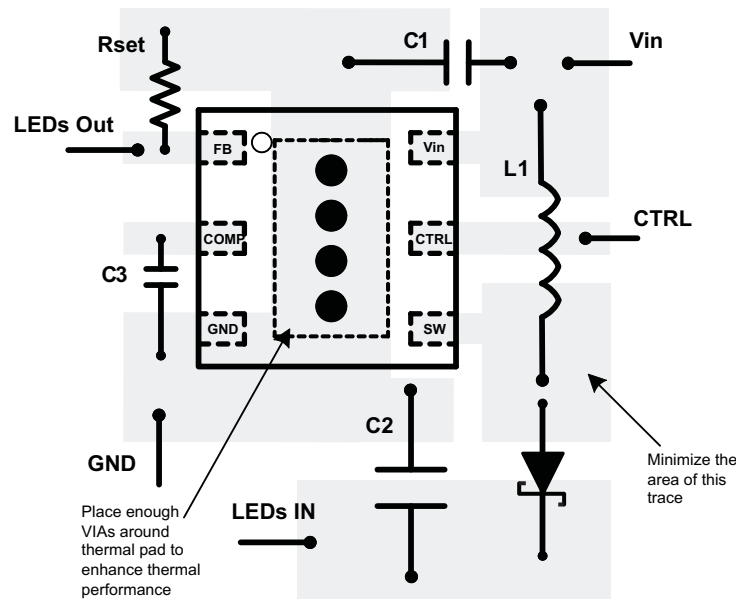


Figure 30. TPS6116x Sample Layout

### 10.3 Thermal Considerations

The maximum device junction temperature should be restricted to 125°C under normal operating conditions. This restriction limits the power dissipation of the TPS61160 or TPS61161. Calculate the maximum allowable dissipation,  $P_{D(max)}$ , and keep the actual dissipation less than or equal to  $P_{D(max)}$ . The maximum-power-dissipation limit is determined using values in [Equation 16](#):

$$P_{D(max)} = \frac{125^{\circ}\text{C} - T_A}{R_{\theta JA}}$$

where

- $T_A$  is the maximum ambient temperature for the application
- $R_{\theta JA}$  is the thermal resistance junction-to-ambient given in [Thermal Information](#). (16)

The TPS61160 and TSP61161 come in a thermally enhanced WSON package. This package includes a thermal pad that improves the thermal capabilities of the package. The  $R_{\theta JA}$  of the WSON package greatly depends on the PCB layout and thermal pad connection. The thermal pad must be soldered to the analog ground on the PCB. Using thermal vias underneath the thermal pad as illustrated in the layout example. Also see the [QFN/SON PCB Attachment](#) application report (SLUA271).

## 11 Device and Documentation Support

### 11.1 Device Support

#### 11.1.1 Third-Party Products Disclaimer

TI'S PUBLICATION OF INFORMATION REGARDING THIRD-PARTY PRODUCTS OR SERVICES DOES NOT CONSTITUTE AN ENDORSEMENT REGARDING THE SUITABILITY OF SUCH PRODUCTS OR SERVICES OR A WARRANTY, REPRESENTATION OR ENDORSEMENT OF SUCH PRODUCTS OR SERVICES, EITHER ALONE OR IN COMBINATION WITH ANY TI PRODUCT OR SERVICE.

### 11.2 Documentation Support

#### 11.2.1 Related Documentation

For related documentation, see the following:

- [QFN/SON PCB Attachment](#)
- [How to Use Analog Dimming With the TPS6116x](#)
- [Design Tool for Analog Dimming Using a PWM Signal](#)

### 11.3 Related Links

#### 11.3.1 Related Links

[Table 8](#) lists quick access links. Categories include technical documents, support and community resources, tools and software, and quick access to sample or buy.

**Table 8. Related Links**

PARTS	PRODUCT FOLDER	SAMPLE & BUY	TECHNICAL DOCUMENTS	TOOLS & SOFTWARE	SUPPORT & COMMUNITY
TPS61160	<a href="#">Click here</a>	<a href="#">Click here</a>	<a href="#">Click here</a>	<a href="#">Click here</a>	<a href="#">Click here</a>
TPS61161	<a href="#">Click here</a>	<a href="#">Click here</a>	<a href="#">Click here</a>	<a href="#">Click here</a>	<a href="#">Click here</a>

### 11.4 Receiving Notification of Documentation Updates

To receive notification of documentation updates, navigate to the device product folder on ti.com. In the upper right corner, click on *Alert me* to register and receive a weekly digest of any product information that has changed. For change details, review the revision history included in any revised document.

### 11.5 Community Resources

The following links connect to TI community resources. Linked contents are provided "AS IS" by the respective contributors. They do not constitute TI specifications and do not necessarily reflect TI's views; see TI's [Terms of Use](#).

**TI E2E™ Online Community** *TI's Engineer-to-Engineer (E2E) Community*. Created to foster collaboration among engineers. At e2e.ti.com, you can ask questions, share knowledge, explore ideas and help solve problems with fellow engineers.

**Design Support** *TI's Design Support* Quickly find helpful E2E forums along with design support tools and contact information for technical support.

### 11.6 Trademarks

EasyScale, E2E are trademarks of Texas Instruments.  
All other trademarks are the property of their respective owners.

### 11.7 Electrostatic Discharge Caution



These devices have limited built-in ESD protection. The leads should be shorted together or the device placed in conductive foam during storage or handling to prevent electrostatic damage to the MOS gates.

## 11.8 Glossary

[SLYZ022](#) — *TI Glossary*.

This glossary lists and explains terms, acronyms, and definitions.

## 12 Mechanical, Packaging, and Orderable Information

The following pages include mechanical, packaging, and orderable information. This information is the most current data available for the designated devices. This data is subject to change without notice and revision of this document. For browser-based versions of this data sheet, refer to the left-hand navigation.

**PACKAGING INFORMATION**

Orderable Device	Status (1)	Package Type	Package Drawing	Pins	Package Qty	Eco Plan (2)	Lead finish/ Ball material (6)	MSL Peak Temp (3)	Op Temp (°C)	Device Marking (4/5)	Samples
TPS61160DRVR	ACTIVE	WSON	DRV	6	3000	RoHS & Green	NIPDAU	Level-2-260C-1 YEAR	-40 to 85	BZQ	<a href="#">Samples</a>
TPS61160DRVRG4	ACTIVE	WSON	DRV	6	3000	RoHS & Green	NIPDAU	Level-2-260C-1 YEAR	-40 to 85	BZQ	<a href="#">Samples</a>
TPS61160DRVT	ACTIVE	WSON	DRV	6	250	RoHS & Green	NIPDAU	Level-2-260C-1 YEAR	-40 to 85	BZQ	<a href="#">Samples</a>
TPS61161DRVR	ACTIVE	WSON	DRV	6	3000	RoHS & Green	NIPDAU	Level-2-260C-1 YEAR	-40 to 85	BZR	<a href="#">Samples</a>
TPS61161DRVRG4	ACTIVE	WSON	DRV	6	3000	RoHS & Green	NIPDAU	Level-2-260C-1 YEAR	-40 to 85	BZR	<a href="#">Samples</a>
TPS61161DRVT	ACTIVE	WSON	DRV	6	250	RoHS & Green	NIPDAU	Level-2-260C-1 YEAR	-40 to 85	BZR	<a href="#">Samples</a>
TPS61161DRVTG4	ACTIVE	WSON	DRV	6	250	RoHS & Green	NIPDAU	Level-2-260C-1 YEAR	-40 to 85	BZR	<a href="#">Samples</a>

(1) The marketing status values are defined as follows:

**ACTIVE:** Product device recommended for new designs.

**LIFEBUY:** TI has announced that the device will be discontinued, and a lifetime-buy period is in effect.

**NRND:** Not recommended for new designs. Device is in production to support existing customers, but TI does not recommend using this part in a new design.

**PREVIEW:** Device has been announced but is not in production. Samples may or may not be available.

**OBSOLETE:** TI has discontinued the production of the device.

(2) **RoHS:** TI defines "RoHS" to mean semiconductor products that are compliant with the current EU RoHS requirements for all 10 RoHS substances, including the requirement that RoHS substance do not exceed 0.1% by weight in homogeneous materials. Where designed to be soldered at high temperatures, "RoHS" products are suitable for use in specified lead-free processes. TI may reference these types of products as "Pb-Free".

**RoHS Exempt:** TI defines "RoHS Exempt" to mean products that contain lead but are compliant with EU RoHS pursuant to a specific EU RoHS exemption.

**Green:** TI defines "Green" to mean the content of Chlorine (Cl) and Bromine (Br) based flame retardants meet JS709B low halogen requirements of <=1000ppm threshold. Antimony trioxide based flame retardants must also meet the <=1000ppm threshold requirement.

(3) MSL, Peak Temp. - The Moisture Sensitivity Level rating according to the JEDEC industry standard classifications, and peak solder temperature.

(4) There may be additional marking, which relates to the logo, the lot trace code information, or the environmental category on the device.

(5) Multiple Device Markings will be inside parentheses. Only one Device Marking contained in parentheses and separated by a "~" will appear on a device. If a line is indented then it is a continuation of the previous line and the two combined represent the entire Device Marking for that device.

(6) Lead finish/Ball material - Orderable Devices may have multiple material finish options. Finish options are separated by a vertical ruled line. Lead finish/Ball material values may wrap to two lines if the finish value exceeds the maximum column width.

**Important Information and Disclaimer:**The information provided on this page represents TI's knowledge and belief as of the date that it is provided. TI bases its knowledge and belief on information provided by third parties, and makes no representation or warranty as to the accuracy of such information. Efforts are underway to better integrate information from third parties. TI has taken and continues to take reasonable steps to provide representative and accurate information but may not have conducted destructive testing or chemical analysis on incoming materials and chemicals. TI and TI suppliers consider certain information to be proprietary, and thus CAS numbers and other limited information may not be available for release.

In no event shall TI's liability arising out of such information exceed the total purchase price of the TI part(s) at issue in this document sold by TI to Customer on an annual basis.

**OTHER QUALIFIED VERSIONS OF TPS61161 :**

- Automotive : [TPS61161-Q1](#)

NOTE: Qualified Version Definitions:

- Automotive - Q100 devices qualified for high-reliability automotive applications targeting zero defects

**TAPE AND REEL INFORMATION**

**QUADRANT ASSIGNMENTS FOR PIN 1 ORIENTATION IN TAPE**


\*All dimensions are nominal

Device	Package Type	Package Drawing	Pins	SPQ	Reel Diameter (mm)	Reel Width W1 (mm)	A0 (mm)	B0 (mm)	K0 (mm)	P1 (mm)	W (mm)	Pin1 Quadrant
TPS61160DRVR	WSON	DRV	6	3000	180.0	8.4	2.3	2.3	1.15	4.0	8.0	Q2
TPS61160DRVT	WSON	DRV	6	250	180.0	8.4	2.3	2.3	1.15	4.0	8.0	Q2
TPS61161DRVR	WSON	DRV	6	3000	180.0	8.4	2.3	2.3	1.15	4.0	8.0	Q2
TPS61161DRVT	WSON	DRV	6	250	180.0	8.4	2.3	2.3	1.15	4.0	8.0	Q2

**TAPE AND REEL BOX DIMENSIONS**


\*All dimensions are nominal

Device	Package Type	Package Drawing	Pins	SPQ	Length (mm)	Width (mm)	Height (mm)
TPS61160DRVR	WSON	DRV	6	3000	210.0	185.0	35.0
TPS61160DRVT	WSON	DRV	6	250	210.0	185.0	35.0
TPS61161DRVR	WSON	DRV	6	3000	210.0	185.0	35.0
TPS61161DRVT	WSON	DRV	6	250	210.0	185.0	35.0

## GENERIC PACKAGE VIEW

DRV 6

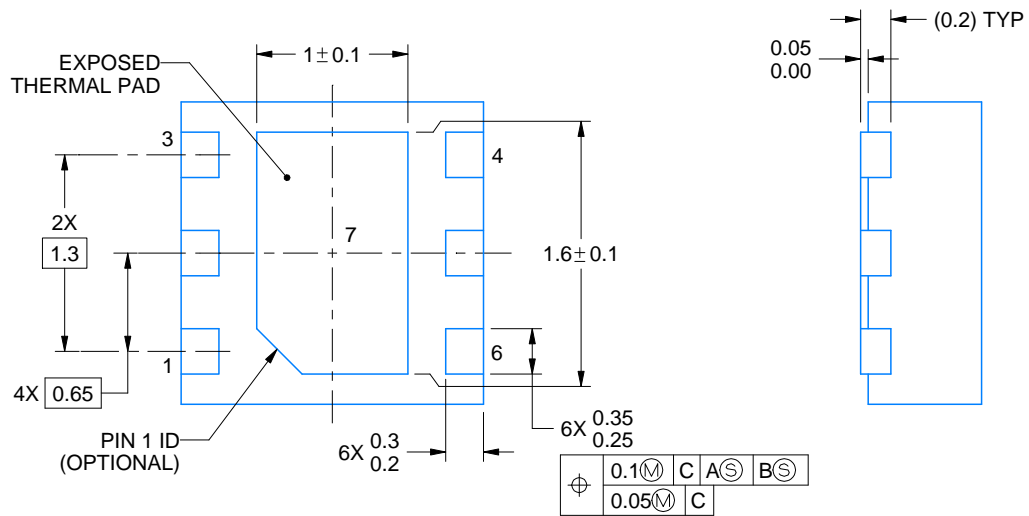
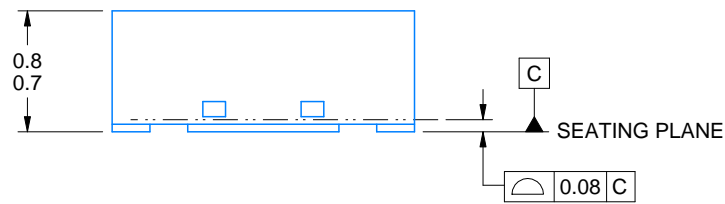
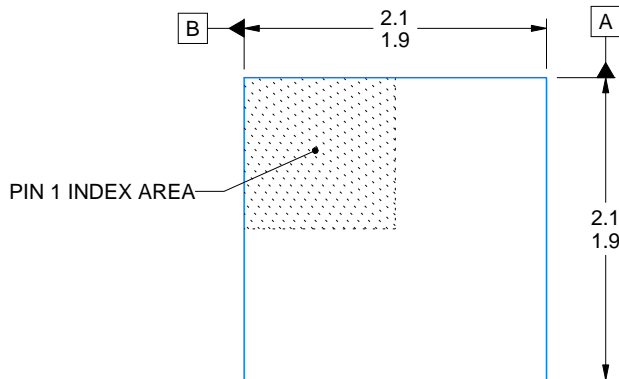
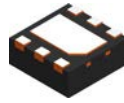
WSON - 0.8 mm max height

PLASTIC SMALL OUTLINE - NO LEAD



Images above are just a representation of the package family, actual package may vary.  
Refer to the product data sheet for package details.

4206925/F



4222173/B 04/2018

NOTES:

1. All linear dimensions are in millimeters. Any dimensions in parenthesis are for reference only. Dimensioning and tolerancing per ASME Y14.5M.
2. This drawing is subject to change without notice.
3. The package thermal pad must be soldered to the printed circuit board for thermal and mechanical performance.



# EXAMPLE STENCIL DESIGN

DRV0006A

WSON - 0.8 mm max height

PLASTIC SMALL OUTLINE - NO LEAD



SOLDER PASTE EXAMPLE  
BASED ON 0.125 mm THICK STENCIL

EXPOSED PAD #7  
88% PRINTED SOLDER COVERAGE BY AREA UNDER PACKAGE  
SCALE:30X

4222173/B 04/2018

NOTES: (continued)

6. Laser cutting apertures with trapezoidal walls and rounded corners may offer better paste release. IPC-7525 may have alternate design recommendations.

## IMPORTANT NOTICE AND DISCLAIMER

TI PROVIDES TECHNICAL AND RELIABILITY DATA (INCLUDING DATA SHEETS), DESIGN RESOURCES (INCLUDING REFERENCE DESIGNS), APPLICATION OR OTHER DESIGN ADVICE, WEB TOOLS, SAFETY INFORMATION, AND OTHER RESOURCES "AS IS" AND WITH ALL FAULTS, AND DISCLAIMS ALL WARRANTIES, EXPRESS AND IMPLIED, INCLUDING WITHOUT LIMITATION ANY IMPLIED WARRANTIES OF MERCHANTABILITY, FITNESS FOR A PARTICULAR PURPOSE OR NON-INFRINGEMENT OF THIRD PARTY INTELLECTUAL PROPERTY RIGHTS.

These resources are intended for skilled developers designing with TI products. You are solely responsible for (1) selecting the appropriate TI products for your application, (2) designing, validating and testing your application, and (3) ensuring your application meets applicable standards, and any other safety, security, regulatory or other requirements.

These resources are subject to change without notice. TI grants you permission to use these resources only for development of an application that uses the TI products described in the resource. Other reproduction and display of these resources is prohibited. No license is granted to any other TI intellectual property right or to any third party intellectual property right. TI disclaims responsibility for, and you will fully indemnify TI and its representatives against, any claims, damages, costs, losses, and liabilities arising out of your use of these resources.

TI's products are provided subject to [TI's Terms of Sale](#) or other applicable terms available either on [ti.com](https://www.ti.com) or provided in conjunction with such TI products. TI's provision of these resources does not expand or otherwise alter TI's applicable warranties or warranty disclaimers for TI products.

TI objects to and rejects any additional or different terms you may have proposed.

Mailing Address: Texas Instruments, Post Office Box 655303, Dallas, Texas 75265  
Copyright © 2024, Texas Instruments Incorporated

## Looking for pricing, stock, or lifecycle information?

Click below to explore more details on WIN SOURCE:

 [View TPS61161DRVR](#) on WIN SOURCE

 [Texas Instruments](#) Information

## Optimize Your Supply Chain with WIN SOURCE Solutions

-  Global Sourcing Solution
-  Obsolete Management
-  Cost Control Management
-  Shortage Management
-  Alternative Solution
-  Excess Inventory Management